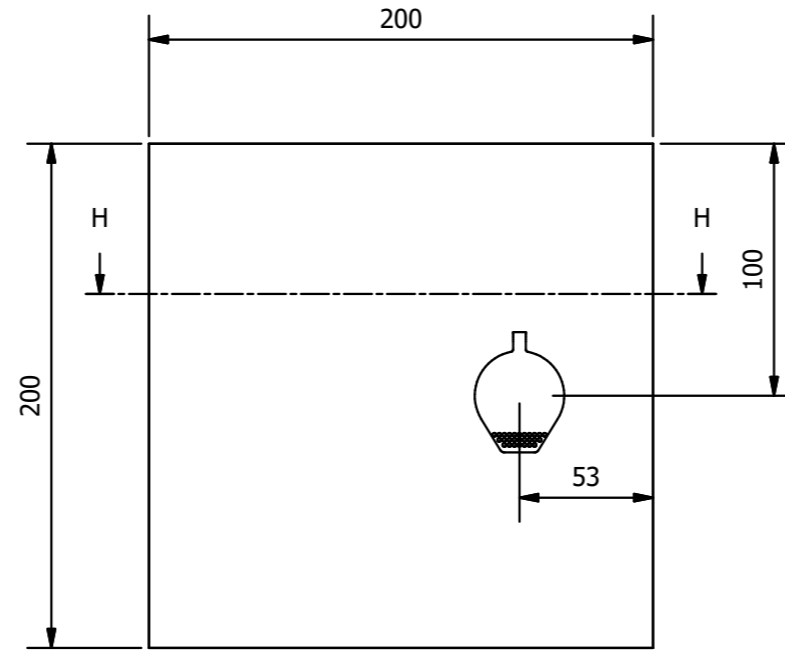
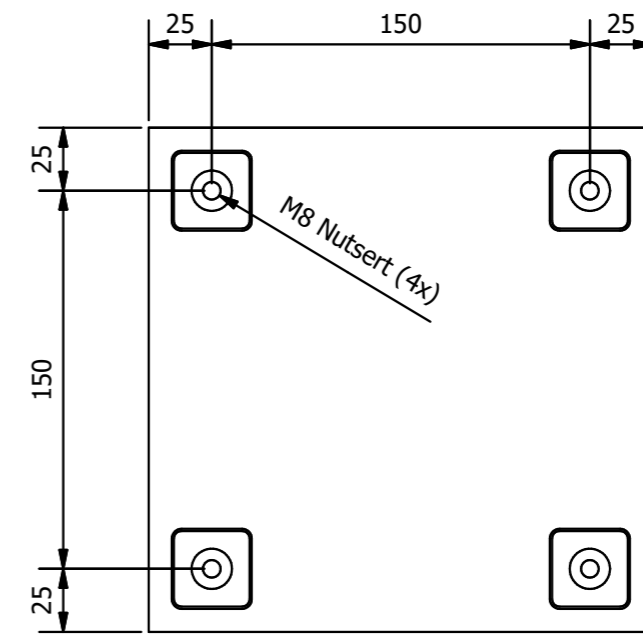


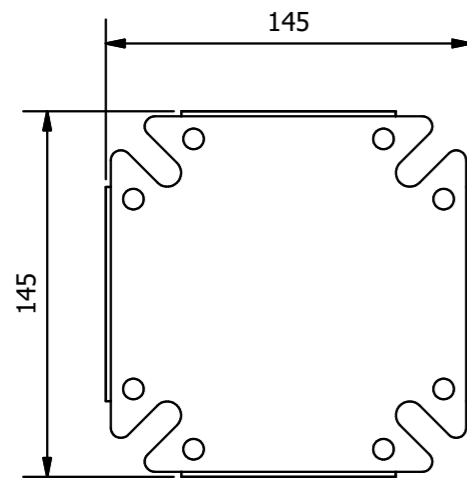
FRONT VIEW  
WITHOUT DOOR



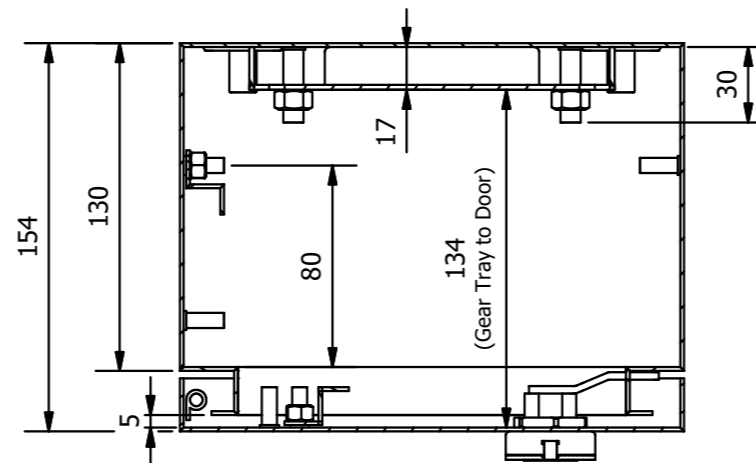
FRONT VIEW



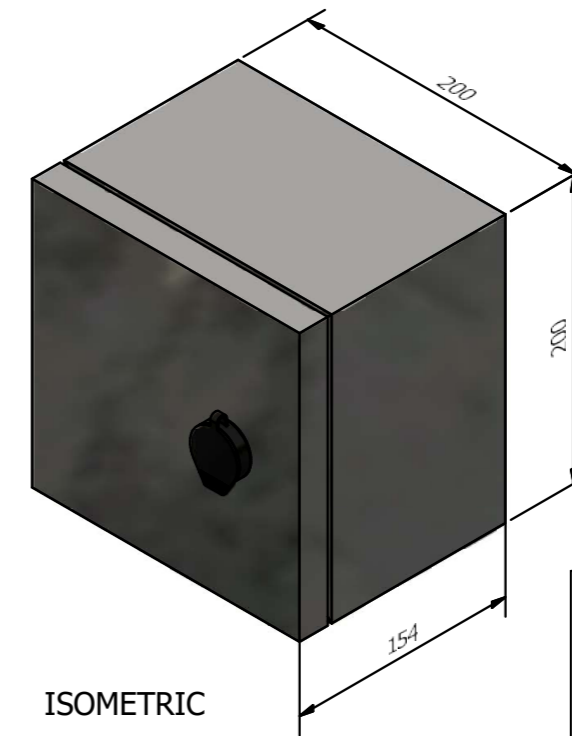
REAR VIEW



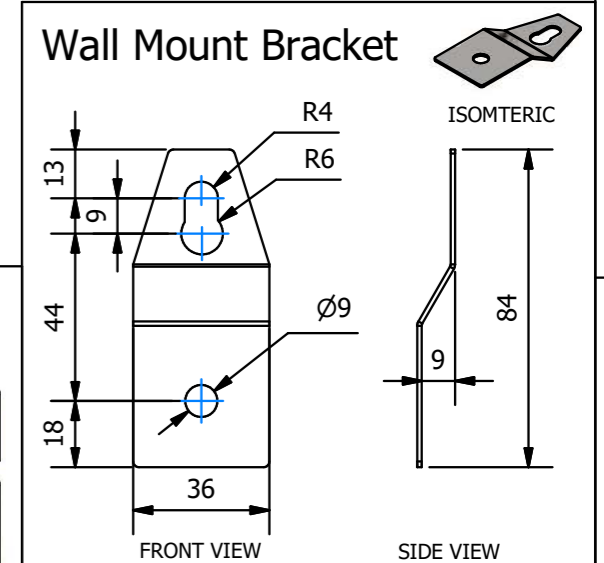
GEAR TRAY



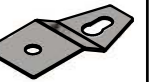
H-H



ISOMETRIC

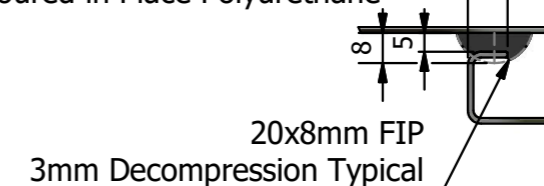


Wall Mount Bracket



ISOMETRIC

Typical Poured Seal Detail  
Poured in Place Polyurethane



20x8mm FIP  
3mm Decompression Typical

**A.E. Stainless Direct**  
P: 1300 533 292  
A: 4/36 Devlan St, Mansfield QLD 4122  
E: info@aestainlessdirect.com.au  
W: aestainlessdirect.com.au

ALL DIMENSIONS ARE IN MILLIMETRES.  
UNLESS OTHERWISE SPECIFIED

DO NOT SCALE

THIS DRAWING INFORMATION AND ALL TECHNICAL DATA  
ENCLOSED HEREIN IS THE PROPERTY OF A.E. STAINLESS DIRECT AND IS NOT TO BE  
USED FOR REPRODUCTION, MANUFACTURE PROCUREMENT  
DISCLOSURE TO ANY PARTY WITHOUT THE WRITTEN CONSENT  
OF A.E. STAINLESS DIRECT

DRAWING NUMBER:

SS200x200x150

16/06/2020

1 OF 1

BILL OF MATERIALS

ITEM	QTY	DESCRIPTION	MATERIAL	THICKNESS
1	1	BODY	SS316N4	1.5 mm
2	1	DOOR	SS316N4	1.5 mm
3	1	GEAR TRAY	GAL - Powder Coated White	2 mm
4	2	Z-BRACKET	GAL - Powder Coated White	1.5 mm
5	4	WALL MOUNT BRACKETS	SS316N4	1.5 mm
6		GLAND PLATE (OPTIONAL)	BR, AL or SS	