

Stradalux

THORN

96541088 STRADALUX LED 2400 25W HF L840

LED 19W LED_2444	AS/NZS 60598	IP54			T _a 40
------------------	--------------	------	---	---	-------------------

Stradalux

A robust weatherproof LED luminaire. Electronic, fixed output control gear. Body: die-cast aluminium. Visor: high impact resistant clear acrylic. Gasket: PVC foam. Class 1 electrical IP54. Complete with 4000K LED

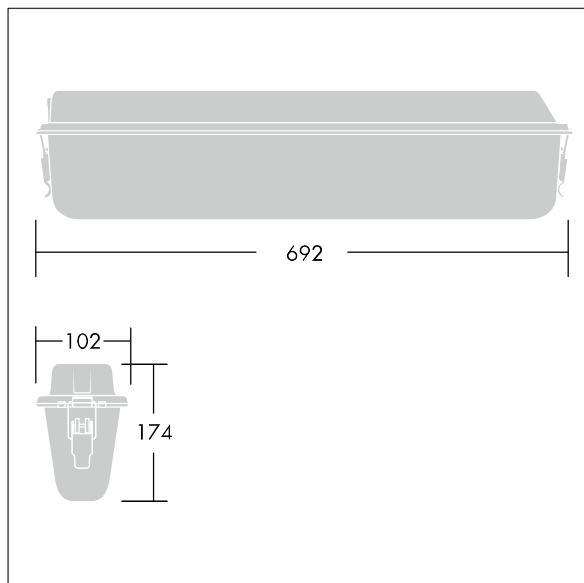
Dimensions: 692 x 174 x 102 mm

Luminaire input power: 18.7 W

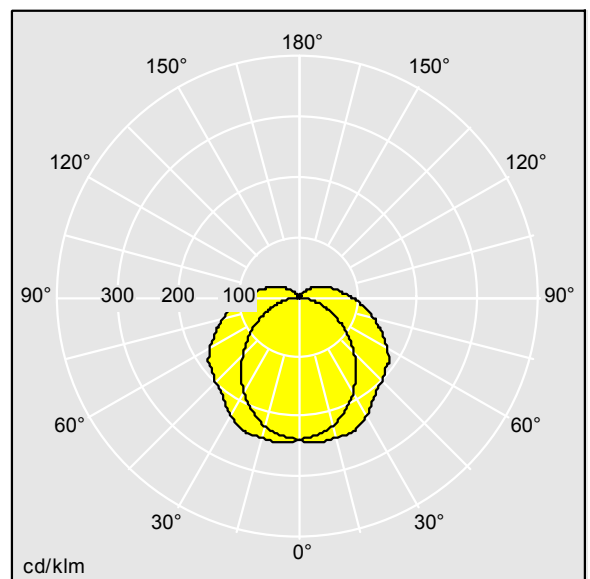
Weight: 3.5 kg



TLA_STRA_F_LEDpdb.jpg



TLG_STRA_M_LD1.wmf



TLAU_96541088.idt

Lamp position: STD - standard

Light Source: LED

Luminaire luminous flux*: 2451 lm

Luminaire efficacy*: 131 lm/W

Ballast: 1 x 28000680 LC 50W 100-400mA flexC Ip EXC

Correlated colour temperature: 4000 Kelvin

Chromaticity tolerance (initial MacAdam): 5

Rated median useful life*:

50000h at 25°C

Luminaire input power*: 18.7 W

Dimming: FO

Maintenance category: E - Dust-proof IP5X

LOR: 0,98 ULOR: 0,13 DLOR: 0,86

This product contains a light source of energy efficiency class C.

All values marked with an * are rated values. Thorn uses tried and tested components from leading suppliers, however there may be isolated instances of technology-related failures of individual LEDs during the rated product lifetime. International standards set the tolerance in initial flux and connected load at $\pm 10\%$. Unless stated otherwise, the values apply to an ambient temperature of 25°C.

Thorn Lighting is constantly developing and improving its products. The right is reserved to change specifications without prior notification or public announcement.
© Thorn Lighting