

TS24HQ ANALOGUE 24 HOUR TIME SWITCH

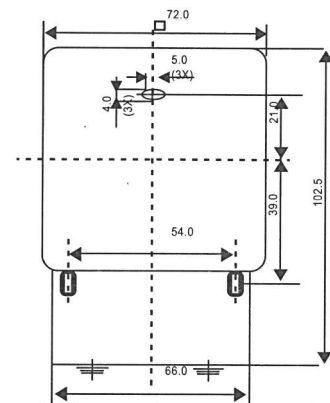
For indoor use, and in heavy load applications. This 24 hour unit is a must-have for all electricians, with easy programming pins it is simple to set-up and easy to adjust settings.

Broad range of applications from Lighting to Refrigeration Control.



Specifications	TS24HQ
Channel	1
Input Voltage	240 V ~ 50 Hz
Load Resistive:	16Amp
Time Scale	24 hour
Power Reserve	150 hour NiMH rechargeable battery
Terminals	0.5 – 2.5 mm ² Screw Type
Switching Intervals	15 Minutes
Manual Switching	On/AUTO/Off
Operating Temperature	-10°C ~ +45°C
Environment Protection	IP40
Installation Type	Din Rail / Surface Mount

Scale Drawing



Wiring Diagram

