

VCO Visible contact changeover switches

SIRCO VM1 63 to 125 A

New Range

VCO visible contact changeover switches offer fully visible breaking in a compact and effective design. The VCO range features positive circuit indication, 2 stable contact positions and double-break contacts for better electrical characteristics. The range extends from a compact 63 A version to a very capable 1600 A model. In combination with an extensive range of accessories, the VCO range is the complete visible contact changeover solution.



Front operated base mount (Supplied with direct mount handle)

	AC 22 400 V (A)	AC 23 400 V (A)	AC 23 400 V (kW)	No. of poles	Cat. No.
63 A	63	63	30	3	VCO 63 3 P
				4	<input type="checkbox"/> VCO 63 4 P
80 A	80	63	30	3	VCO 80 3 P
				4	<input type="checkbox"/> VCO 80 4 P
100 A	100	63	30	3	VCO 100 3 P
				4	<input type="checkbox"/> VCO 100 4 P
125 A	125	63	30	3	VCO 125 3 P
				4	<input type="checkbox"/> VCO 125 4 P

Notes: Make-before-break changeover switches available on an indent basis. Refer NHP.
Bridging bars not supplied with switch.
 Available on indent only.



VCO Visible contact changeover switches

SIDER 200 to 1600 A

New Range



Front operated base mount

	AC 21 400 V (A)	AC 23 400 V (A)	AC 23 400 V (kW)	No. of poles	Cat. No.
200 A	200	200	100	3	<i>i</i> VCO 200 3 P
				4	<i>i</i> VCO 200 4 P
400 A	400	400	220	3	<i>i</i> VCO 400 3 P
				4	<i>i</i> VCO 400 4 P
630 A	630	630	355	3	<i>i</i> VCO 630 3 P
				4	<i>i</i> VCO 630 4 P
800 A	800	630	355	3	<i>i</i> VCO 800 3 P
				4	<i>i</i> VCO 800 4 P
1250 A	1250	1000	560	3	<i>i</i> VCO 1250 3 P
				4	<i>i</i> VCO 1250 4 P
1600 A	1600	1000	560	3	<i>i</i> VCO 1600 3 P
				4	<i>i</i> VCO 1600 4 P

Notes: 6 and 8 pole switches also available. Refer NHP.

i All item available on indent only.



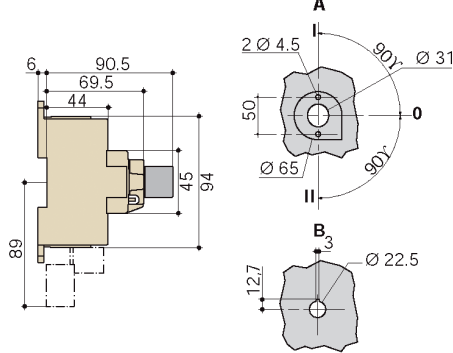
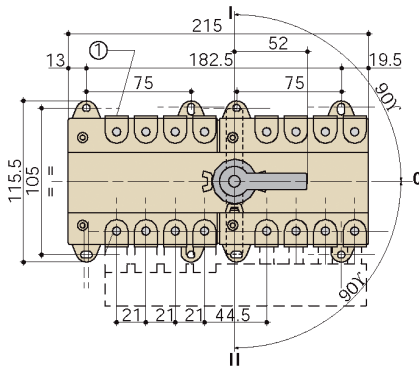
Technical data and dimensions (mm)

SIDER/SIRCO VMC VCO 63 to 1600 A

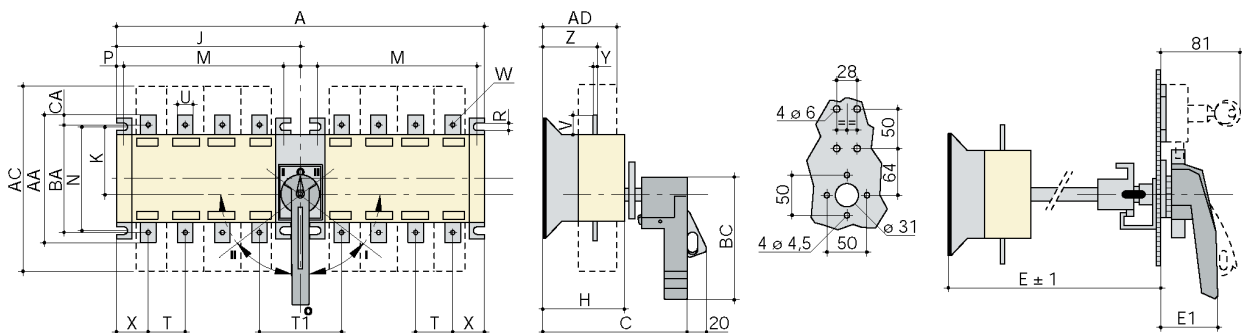
SIRCO VMC 63 to 125 A

Direct front operation

External front operation



SIDER 200 to 1600 A



Rating (A)	Overall dimensions					Terminal shrouds		Switch body				Mounting					Connections												
	A 3p.	A 4p.	C	E	E1	AC	AD	H	J 3p.	J 4p.	K	BC	M 3p.	M 4p.	N	P	R	T	T1 3p.	T1 4p.	U	V	W	X	Y	Z	AA	BA	CA
200	395	495	153	173	60	280	121	92	197,5	247,5	72	115	160	210	110	10	7	50	121	121	25	25	9	37	2,5	59	150	130	10
400	530	650	187	207	60	400	152	126	265	325	120	115	210	270	180	10	9	65	175	165	32	37,5	11	47,5	5	82	235	205	15
630	638	798	240	240	81	460	-	160	319	399	110	210	255	335	220	12,5	11	80	188	188	40	50	13	65	6	106	300	260	20
800	638	798	240	240	81	460	-	160	319	399	110	210	255	335	220	12,5	11	80	198	198	50	60	-	60	6	106	320	-	-
1250	822	1062	240	240	81	460	-	160	411	531	110	210	347	467	220	12,5	11	120	196	196	63	65	-	73	7	107	330	-	-
1600	822	1062	240	240	81	460	-	160	411	531	110	210	347	467	220	12,5	11	120	196	196	80	80	-	73	15	111	360	-	-

Technical data and ratings chart

SIRCO VM1 VCO 63 to 125 A

Ratings to AS 3947-3 and IEC 60947-3

			63 A	80 A	100 A	125 A
Rated insulation voltage and rated operation voltage AC 20/DC 20	V		800	800	800	800
Rated impulse withstand voltage	kV		8	8	8	8
Rated operational current						
AC 21 A						
400 V	A		63	80	100	125
500 V	A		63	80	80	80
690 V	A		63	80	80	80
AC 22 A						
400 V	A		63	80	100	125
500 V	A		40	40	40	40
690 V	A		40	40	40	40
AC 23 A						
400 V	A		63	63	63	63
500 V	A		25	25	25	25
690 V	A		25	25	25	25
Rated operational current / poles in series						
DC 21 A						
220 V	A		63	80	100	125
440 V	A		-	-	-	1
DC 22 A						
220 V	A		63	80	100	100
440 V	A		-	-	-	-
DC 23 A						
220 V	A		63	63	63	63
440 V	A		-	-	-	-
Operational power						
AC 23 A						
400 V	kW		30	30	30	30
500 V	kW		-	-	-	-
690 V	kW		22	22	22	22
Overload capacity						
Short time withstand current	kA		30	2.5	2.5	2.5
I _{cw} (RMS 1s) 690 V						
Breaking capacity	400 V	A	-	-	-	-
AC 23 A						
Fuse protected short circuit withstand AC	400 V	kA	100	100	100	50
(kA RMS prospective)	Fuse	A	63	80	100	125
Rated capacitor power		kVAr	28	37	45	55
Mechanical endurance		Ops	10000	10000	10000	10000
Weight (3 pole)		Kg	1.2	1.2	1.4	1.4
Min. tightening torque		Nm	6	6	6	6
Connection cable size		mm ²	4/50	4/50	4/50	4/50

Note: 240/415 V ratings suitable for use on 230/400 V in accordance with AS 60038 : 2000.

Technical data and ratings chart

SIDER VCO 200 to 1600 A

Ratings to AS 3947-3 and IEC 60947-3

			200 A	400 A	630 A	800 A	1250 A	1600 A
Rated insulation voltage and rated operation voltage AC 20/DC 20	V		750	1000	1000	1000	1000	1000
Rated impulse withstand voltage	kV		8	12	12	12	12	12
Rated operational current								
AC 21 A	400 V	A	200	400	630	800	1250	1600
	500 V	A	160	400	630	800	1000	1250
	690 V	A	160	400	630	800	1000	1250
AC 22 A	400 V	A	200	400	630	800	1250	1250
	500 V	A	100	400	315	315	400	400
	690 V	A	100	400	315	315	400	400
AC 23 A	400 V	A	200	400	630	630	1000	1000
	500 V	A	-	80	100	125	200	200
	690 V	A	-	80	100	125	200	200
Rated operational current/poles in series								
DC 21 A	220 V	A	200	400	630	800	1000	1250
	440 V	A	160/2	315	500	630	-	1000
DC 22 A	220 V	A	160	400	630	800	800	800
	440 V	A	160/2	400/2	630/2	800/2	800/2	800/2
DC 23 A	220 V	A	160/2	400/2	630	800	1250	1600
	440 V	A	-	400/2	630/2	800/2	800/2	800/2
Operational power								
AC 23 A	400 V	kW	100	220	355	355	560	560
	500 V	kW	-	-	-	-	-	-
	690 V	kW	-	75	90	110	185	185
Overload capacity								
Short time withstand current I _{cw} (RMS 1s) 690 V	kA		9	13	26	26	50	50
Breaking capacity AC 23 A	400 V	A	-	-	-	-	-	-
Fuse protected short circuit withstand AC (kA RMS prospective)	400 V	kA	100	100	100	70	100	120
	Fuse	A	200	400	630	800	1250	2x800
Rated capacitor power	kVAr		90	185	290	365	575	-
Mechanical endurance	Ops		10000	5000	5000	4000	4000	3000
Weight (3 pole)	Kg		4	9	17.5	17	23.5	35
Min. tightening torque	Nm		9	20	40	-	20	40
Connection cable size	mm ²		95	240	2x300	2x300	4x185	6x240

Note: 240/415 V ratings suitable for use on 230/400 V in accordance with AS 60038 : 2000.