

SIGNAL COLUMNS, DIAMETER 70MM
ACCESSORIES PIPE, 250MM



General technical data:

product brand name		SIRIUS
Equipment marking acc. to DIN EN 61346-2		U

Mechanical data:

Length of the mounting pipe	mm	250
Outer diameter of the signal column element	mm	70

Ambient conditions:

Height	mm	250
Width	mm	25

Certificates/ approvals:

General Product Approval

EMC

Shipping Approval



Shipping Approval



Further information

Information- and Downloadcenter (Catalogs, Brochures,...)

<http://www.siemens.com/industrial-controls/catalogs>

Industry Mall (Online ordering system)

<http://www.siemens.com/industrymall>

Cax online generator

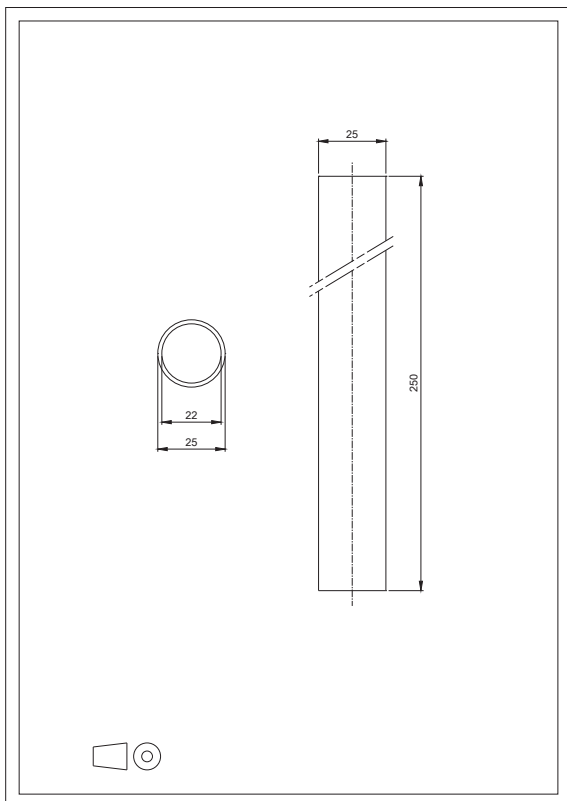
<http://support.automation.siemens.com/WW/CAXorder/default.aspx?lang=en&mfb=8WD43080EA>

Service&Support (Manuals, Certificates, Characteristics, FAQs,...)

<https://support.industry.siemens.com/cs/ww/en/ps/8WD43080EA>

Image database (product images, 2D dimension drawings, 3D models, device circuit diagrams, EPLAN macros, ...)

http://www.automation.siemens.com/bilddb/cax_de.aspx?mfb=8WD43080EA&lang=en



last modified:

17.07.2015