

Product data sheet

Specifications



Soft starter, Altistart 480, 17A, 208 to 690V AC, control supply 110 to 230V AC

ATS480D17Y

Main

Range Of Product	Altivar Soft Starter ATS480
Product Or Component Type	Soft starter
Product Destination	Asynchronous motors
Product Specific Application	Process and infrastructures
Device Short Name	ATS480
Network Number Of Phases	3 phases
Utilisation Category	AC-3A AC-53A
Ue Power Supply Voltage	208...690 V - 15...10 %
Power Supply Frequency	50...60 Hz - 20...20 %
[Ie] Rated Operational Current	Normal duty: 17.0 A (at <40 °C)
Rated Current In Heavy Duty	12.0 A at 40 °C for heavy duty
Torque Control	True
Ip Degree Of Protection	IP20
Motor Power Kw	4.0 kW at 230 V in the motor supply line normal duty 2.2 kW at 230 V in the motor supply line heavy duty 7.5 kW at 400 V in the motor supply line normal duty 5.5 kW at 400 V in the motor supply line heavy duty 7.5 kW at 440 V in the motor supply line normal duty 5.5 kW at 440 V in the motor supply line heavy duty 9.0 kW at 500 V in the motor supply line normal duty 7.5 kW at 500 V in the motor supply line heavy duty 9.0 kW at 525 V in the motor supply line normal duty 7.5 kW at 525 V in the motor supply line heavy duty 11.0 kW at 660 V in the motor supply line normal duty 9.0 kW at 660 V in the motor supply line heavy duty 15.0 kW at 690 V in the motor supply line normal duty 11.0 kW at 690 V in the motor supply line heavy duty 7.5 kW at 230 V to the motor delta terminals normal duty 5.5 kW at 230 V to the motor delta terminals heavy duty 15.0 kW at 400 V to the motor delta terminals normal duty 11.0 kW at 400 V to the motor delta terminals heavy duty
Motor Power Hp	3.0 hp at 208 V normal duty 2.0 hp at 208 V heavy duty 5.0 hp at 230 V normal duty 3.0 hp at 230 V heavy duty 10.0 hp at 460 V normal duty 7.5 hp at 460 V heavy duty 15.0 hp at 575 V normal duty 10.0 hp at 575 V heavy duty
Option Card	Communication module for Profibus DP V1 Communication module for PROFINET Communication module for Modbus TCP/EtherNet/IP Communication module for CANopen daisy chain Communication module for CANopen Sub-D Communication module for CANopen open style

Disclaimer: This documentation is not intended as a substitute for and is not to be used for determining suitability or reliability of these products for specific user applications

Complementary

Device Connection	In the motor supply line To the motor delta terminals
[Us] Control Circuit Voltage	110...250 V AC 50/60 Hz - 15...10 %
Apparent Power	0.06 kVA
Integrated Motor Overload Protection	True
Motor Thermal Protection Class	Class 10E
Protection Type	Phase failure: line Integrated thermal protection: motor Thermal protection: starter Current overload: motor Underload: motor Excessive starting time, locked rotor: motor Motor phase loss: motor Line supply phase loss: line Line supply phase loss: motor Thermal protection: motor
Current Limiting %In (5 X Ie Maximum)	150...700 %
Rated Current Pwr Loss Specification	17.0 A
Power Loss Static Current Independent	25.0 W
Power Loss Per Device Current Dependent	38.0 W
Standards	IEC 60947-4-2 UL 60947-4-2 IEC 60664-1
Product Certifications	CE cULus CCC UKCA RCM EAC DNV ABS BV CCS
Marking	CE CCC UKCA EAC RCM CULus
[Uc] Control Circuit Voltage	24 V DC
Discrete Input Number	4
Discrete Input Type	(STOP) logic inputs, 3500 Ohm (RUN) logic inputs, 3500 Ohm (DI3) programmable as logic input, 3500 Ohm (DI4) programmable as logic input, 3500 Ohm
Input Compatibility	STOP: discrete input level 1 PLC conforming to IEC 61131-2 RUN: discrete input level 1 PLC conforming to IEC 61131-2 DI3: discrete input level 1 PLC conforming to IEC 61131-2 DI4: discrete input level 1 PLC conforming to IEC 61131-2
Discrete Input Logic	Programmable digital input at State 0: < 5 V
Relay Output Number	3
Relay Output Type	Relay outputs R1A 1 NO Relay outputs R1B 1 NO Relay outputs RIC NO/NC programmable
Minimum Switching Current	100 mA at 12 V DC for relay outputs

Maximum Switching Current	Relay outputs 2 A at 250 V AC Relay outputs 2 A at 30 V DC
Discrete Output Number	2
Discrete Output Type	(DQ1) programmable digital output <= 30 V (DQ2) programmable digital output <= 30 V
Output Compatibility	Open collector level 1 PLC conforming to IEC 65A-68
Analogue Input Number	1
Analogue Input Type	AI1/PTC PTC/Pt 100 temperature probe PTC2 PTC/Pt 100 temperature probe PTC3 PTC/Pt 100 temperature probe
Analogue Output Number	1
Analogue Output Type	Current output AQ1: 0...20 mA or 0...10 V, impedance <500 Ohm
Communication Port Protocol	Modbus serial
Connector Type	1 RJ45
Communication Data Link	Serial
Physical Interface	2-wire RS 485
Transmission Rate	1200...256000 bit/s
Transmission Frame	RTU
Data Format	8 bits, configurable odd, even or no parity
Type Of Polarization	No impedance for Modbus serial
Number Of Addresses	0...227 for Modbus serial
Method Of Access	Slave Modbus serial
Function Available	External bypass control Pre-heating Smoke extraction Multi-motor cascade Second motor set User management Ports and services hardening Security event logging Cybersecure firmware update Single direction
Display Screen Available	True
Operating Position	Vertical +/- 10 degree
Height	275.0 mm
Width	160.0 mm
Depth	203.0 mm
Net Weight	4.9 kg

Environment

Electromagnetic Compatibility	Conducted and radiated emissions level A conforming to IEC 60947-4-2 Conducted and radiated emissions with bypass level B conforming to IEC 60947-4-2 Damped oscillating waves level 3 conforming to IEC 61000-4-12 Electrostatic discharge level 3 conforming to IEC 61000-4-11 Immunity to electrical transients level 4 conforming to IEC 61000-4-4 Immunity to radiated radio-electrical interference level 3 conforming to IEC 61000-4-3 Voltage/current impulse level 3 conforming to IEC 61000-4-5
Pollution Degree	Level 3
[Uimp] Rated Impulse Withstand Voltage	6 kV
[Ui] Rated Insulation Voltage	690 V

Environmental Class (During Operation)	Class 3C3 according to IEC 60721-3-3 Class 3S2 according to IEC 60721-3-3
Relative Humidity	0...95 % without condensation or dripping water conforming to IEC 60068-2-3
Ambient Air Temperature For Operation	40...60 °C (with current derating of 2 % per °C) -15...40 °C (without derating)
Ambient Air Temperature For Storage	-25...70 °C
Operating Altitude	<= 1000 m without derating > 1000...4000 m with current derating 1 % per 100 m
Maximum Deflection Under Vibratory Load (During Operation)	1.5 mm at 2...13 Hz
Maximum Deflection Under Vibratory Load (During Storage)	1.75 mm at 2...9 Hz
Maximum Deflection Under Vibratory Load (During Transport)	1.75 mm at 2...9 Hz
Maximum Acceleration Under Vibrational Stress (During Operation)	10 m/s ² at 13...200 Hz
Maximum Acceleration Under Vibratory Load (During Storage)	15 m/s ² at 200...500 Hz 10 m/s ² at 9...200 Hz
Maximum Acceleration Under Vibratory Load (During Transport)	15 m/s ² at 200...500 Hz 10 m/s ² at 9...200 Hz
Maximum Acceleration Under Shock Impact (During Operation)	150 m/s ² at 11 ms
Maximum Acceleration Under Shock Load (During Storage)	100 m/s ² at 11 ms
Maximum Acceleration Under Shock Load (During Transport)	100 m/s ² at 11 ms

Packing Units

Unit Type Of Package 1	PCE
Number Of Units In Package 1	1
Package 1 Height	30 cm
Package 1 Width	28 cm
Package 1 Length	37 cm
Package 1 Weight	6.216 kg
Unit Type Of Package 2	S06
Number Of Units In Package 2	8
Package 2 Height	75 cm
Package 2 Width	60 cm
Package 2 Length	80 cm
Package 2 Weight	62.8 kg

Sustainability

Green Premium™ label is Schneider Electric's commitment to delivering products with best-in-class environmental performance. Green Premium promises compliance with the latest regulations, transparency on environmental impacts, as well as circular and low-CO₂ products.

Guide to assessing product sustainability is a white paper that clarifies global eco-label standards and how to interpret environmental declarations.

[Learn more about Green Premium >](#)

[Guide to assess a product's sustainability >](#)



Transparency RoHS/REACH

Resource performance

Upgraded Components Available

Well-being performance

Mercury Free

Rohs Exemption Information Yes

Certifications & Standards

Reach Regulation

[REACH Declaration](#)

Eu Rohs Directive

Pro-active compliance (Product out of EU RoHS legal scope)

China Rohs Regulation

[China RoHS declaration](#)

Environmental Disclosure

[Product Environmental Profile](#)

Weee

The product must be disposed on European Union markets following specific waste collection and never end up in rubbish bins

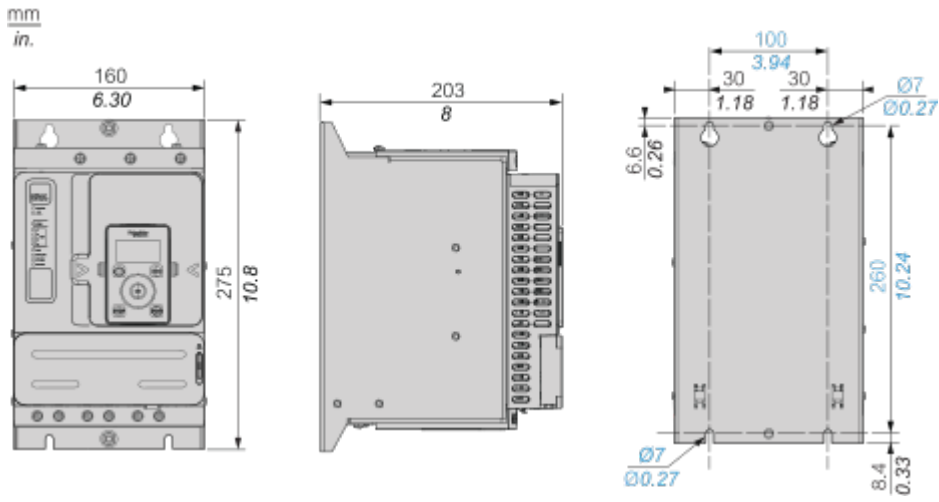
Circularity Profile

[End of Life Information](#)

Dimensions Drawings

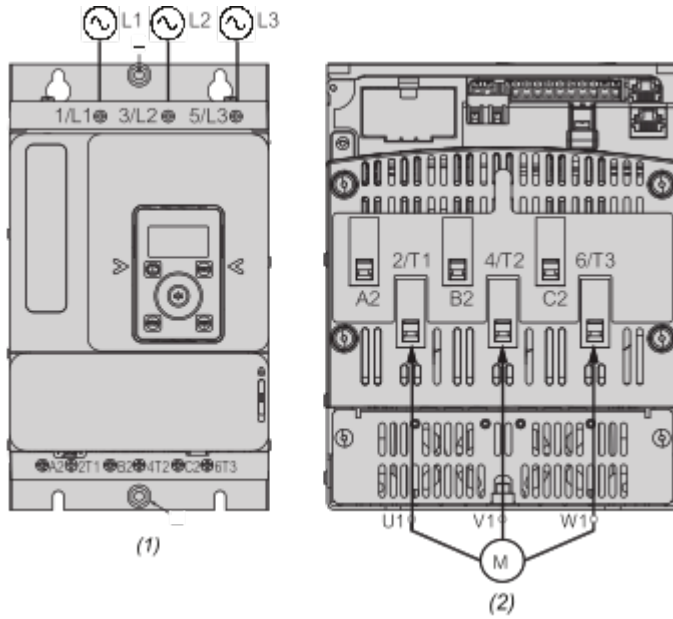
Dimensions

Front, Side and Rear View



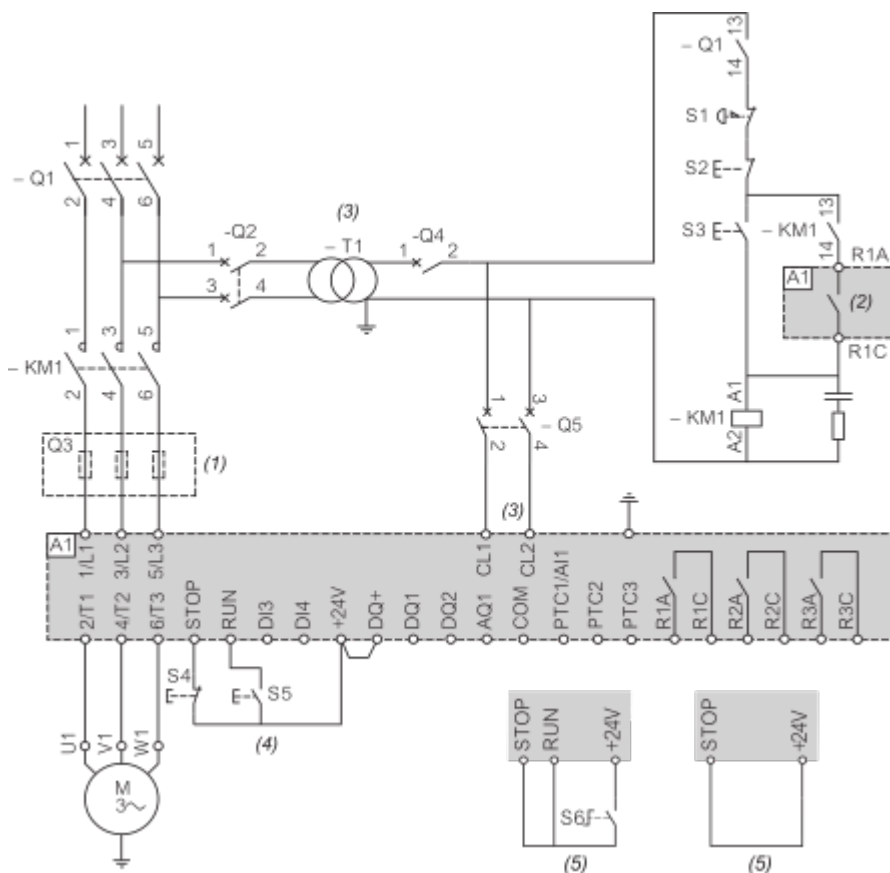
Connections and Schema

Power Connections



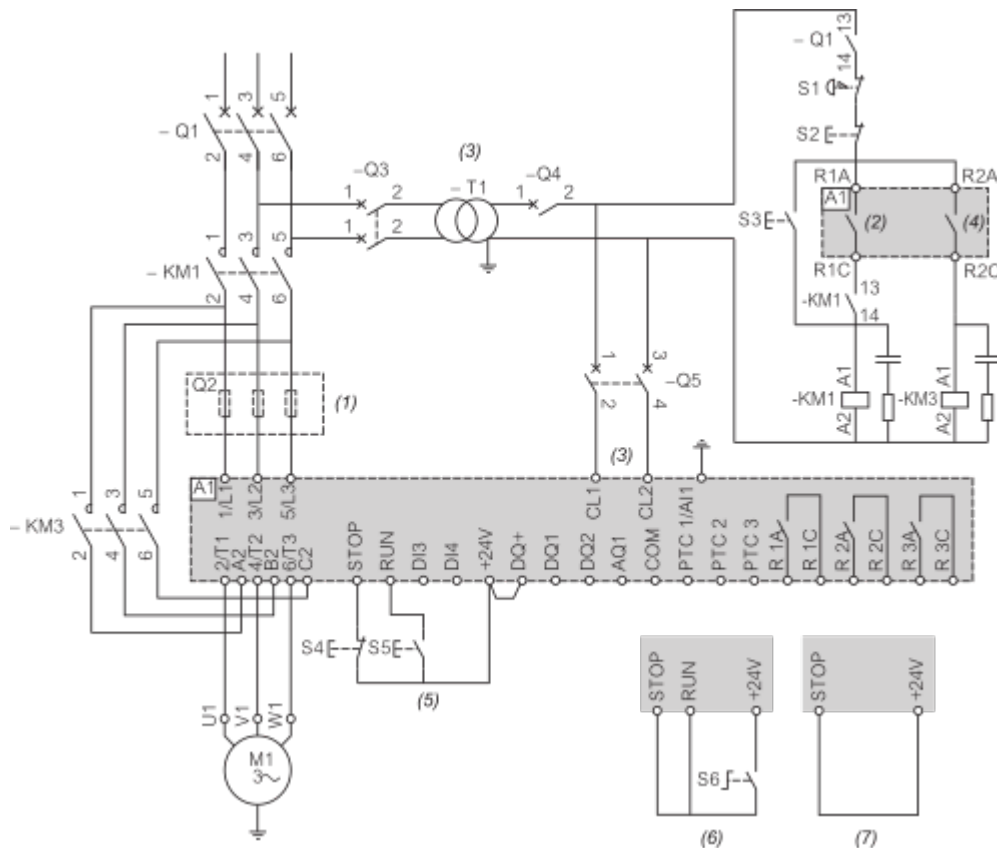
- (1) : Mains side
- (2) : Motor side
- 1/L1, 3/L2, 5/L3 : Mains supply inputs
- 2/T1, 4/T2, 6/T3 : Outputs to motor
- A2, B2, C2 : Soft starter bypass

Connection in line, with line contactor, no bypass, type 1 or 2 coordination, non-reversing, 2-wire or 3-wire control



- (1) : Installation of additional fast-acting fuses to upgrade to type 2 coordination according to IEC 60947-4-2.
- (2) : Take into account the electrical characteristics of the relays (Control Terminal Characteristics).
- (3) : The transformer must supply 110...230 VAC +10% — 15%, 50/60Hz.
- (4) : RUN and STOP Management (3-wire control).
- (5) : RUN and STOP Management (2-wire control).

Connection in line, with line and bypass contactor, freewheel or controlled stop, type 1 or 2 coordination, non reversing, 2-wire or 3-wire



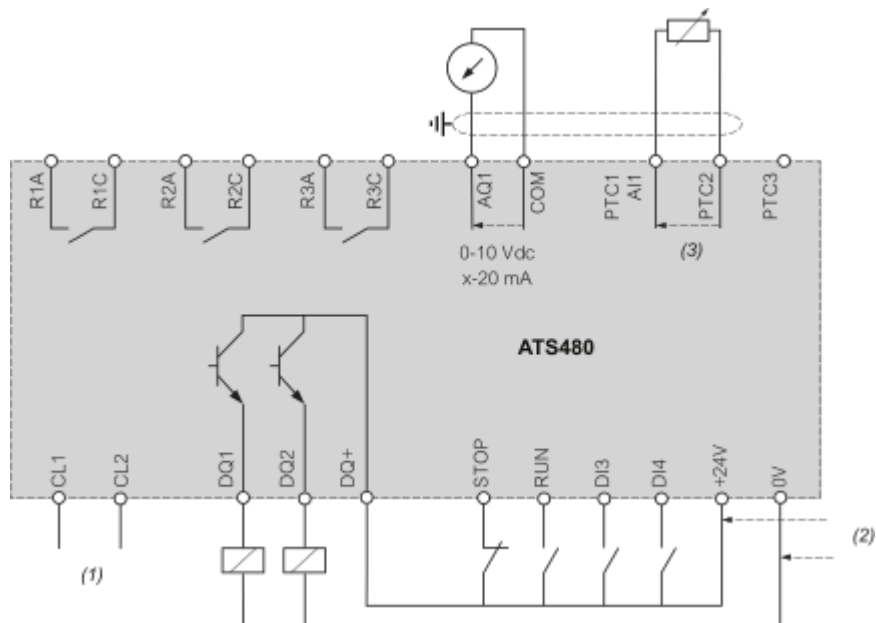
- (1) : Installation of additional fast-acting fuses to upgrade to type 2 coordination according to IEC 60947-4-2.
- (2) : Take into account the electrical characteristics of the relays (Control Terminal Characteristics).
- (3) : The transformer must supply 110...230 VAC +10% - 15%, 50/60Hz.
- (4) : Take into account the electrical characteristics of the relays, especially when connecting to high rating contactor (Control Terminal Characteristics).
- (5) : RUN and STOP Management (3-wire control).
- (6) : RUN and STOP Management (2-wire control).
- (7) : PC or PLC control

Connection inside the delta, with line and bypass contactor, type 1 and 2 coordination, non reversing, 2 wire or 3 wire



- (1) : Installation of additional fast-acting fuses to upgrade to type 2 coordination according to IEC 60947-4-2.
- (2) : Take into account the electrical characteristics of the relays (Control Terminal Characteristics).
- (3) : The transformer must supply 110...230 VAC +10% – 15%, 50/60Hz.
- (4) : Take into account the electrical characteristics of the relays, especially when connecting to high rating contactor (Control Terminal Characteristics).
- (5) : RUN and STOP Management (3-wire control).
- (6) : RUN and STOP Management (2-wire control).
- (7) : PC or PLC control

Control block wiring diagram



(1) : Control power supply 110-230 VAC

(2) : External supply 24 VDC

(3) : 2 Wires PTC/PT100

R1A, R1C, R3A, R3C : Sequence relay

R2A, R2C : End of start

STOP, RUN, DI3, DI4 : Digital inputs

AQ1 : Analogue output

PTC1/AI1, PTC2, PTC3 : PTC or PT100 connection

DQ1, DQ2, DQ+ : Digital outputs

Mounting and Clearance

Mounting Position

mm
in.

