



Safe & reliable

The Essential SmartBright G3 LED security light is a motion sensor activated security light, with a built-in PIR sensor and Lux sensor, automatic and instant-on when motion detected, assuring your property is well lit for visibility at night and dusk.

Features & benefits

- Up to 85lm/w efficacy
- 1 CCT: 4000K
- PIR motion sensor, 8m long detection distance
- 120° wide detection angle
- Two wattage: 20w/50w
- Lifetime: 20'000hrs

Application

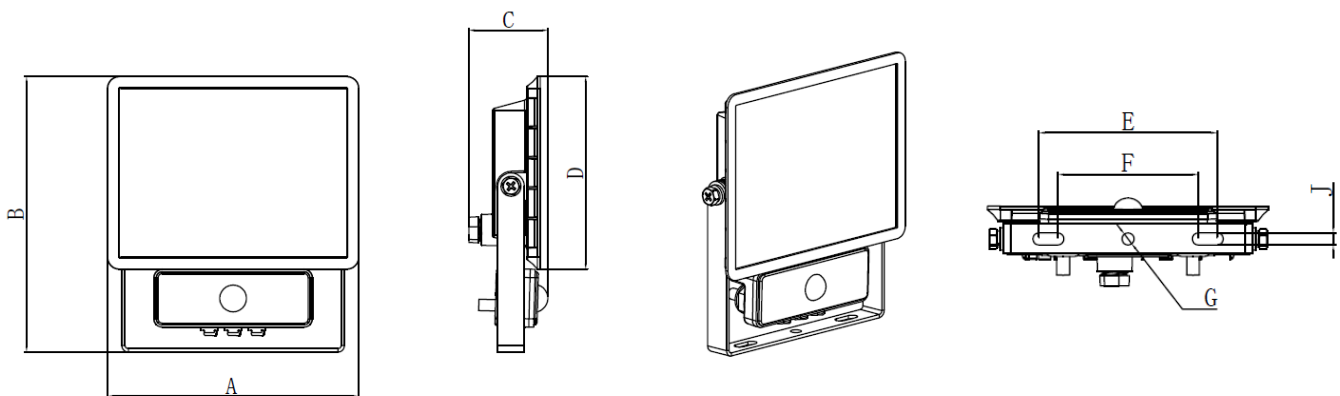
- Amenity
- Security
- Parking

Product Data

Product Family	Essential SmartBright G3 LED Security Light- BVP150	
Configuration	20W	50W
System lumen * (lm)	1700 lm	4250 lm
Power factor	>0.9	
Surge Protection rating	1KV/2KV (DM/CM)	
Beam angle	SWB(110°)	
CCT	4000K(NW)	
CRI	>80	
Operating temperature	-25°C ~ +40°C	
Lifetime	20,000 hours (L70B50@25°C)	
IP/IK rating	IP65 / IK06	
Electrical class	Class I	
Input voltage	220-240V, 50/60Hz	
Connection cable	300mm length flying cable	
Mounting type	Bracket mounting	
Material and finishing	Die-cast aluminum housing(black), Textured tempered glass	
Weight	0.53 Kg	0.92 Kg
Certifications	CE, CB, EMC, SAA	

* System lumen refers to typical lumen output of NW(4000K) product, it could result less lumen in WW(3000K) or higher lumen in CW(6500K).

Dimensions



Unit: mm

Type	A	B	C	D	E	F	G	J
20W	150	164.5	47	115	95	75	6.5	6.5
50W	200	193.5	45	140	150	130	6.5	6.5

Product Pictures



20W

50W

Ordering Code

Customer Order Code	Description	Specification	12NC
BVP150LED20WSEN	BVP150 LED17/NW 220-240V 20W SWB MDU SAA	20W, 4000K, 300mm flying cable	911401850880
BVP150LED50WSEN	BVP150 LED42/NW 220-240V 50W SWB MDU SAA	50W, 4000K, 300mm flying cable	911401850980

© 2018 Signify Holding. All rights reserved. The information provided herein is subject to change, without notice. Signify does not give any representation or warranty as to the accuracy or completeness of the information included herein and shall not be liable for any action in reliance thereon. The information presented in this document is not intended as any commercial offer and does not form part of any quotation or contract, unless otherwise agreed by Signify

Philips and the Philips Shield Emblem are registered trademarks of Koninklijke Philips N.V.
All other trademarks are owned by Signify Holding or their respective owners

www.lighting.philips.com.au

