

Catalogue No: **DSRCD-4-63-100-A**

RCCB DIN-SAFE 3P+N 63A 100mA TYPE A

Power Distribution and Protection > Circuit Breakers > Miniature Circuit Breakers and Earth Leakage Protection (RCDs and RCBOs) > DIN-Safe Residual Current Device > DIN-Safe Safety Switches (RCCBs) > DIN-Safe RCCB Type A



Representative Photo Only
(actual product may vary based on configuration selections)

RCCB 63A 100MA 3PN 4 MOD (A)

- Complies with AS/NZS 61008 (RCCBs)
- DIN-SAFE RCCBs feature 10kA conditional short circuit rating
- 1P+N and 3P+N for single or three phase loads
- Type A, AI, F & B RCD options
- 30mA sensitivity featured as standard simplifying the selection for personnel protection applications
- 100mA, 300mA & 500mA sensitivity options
- Fast connection pin/fork busbar comb or busbar chassis
- Suits pole covers and loadcentre's
- Approval No NSW17482 or RCM

SPECIFICATIONS

| | |
|---|----------------------|
| Component Type Power Distribution & Protection | RCD |
| RCD Type, AS/NZS 61008/61009 | A |
| Tripping Time at $I_{\Delta n}$, Instantaneous | <40 ms |
| Tripping Time at $I_{\Delta n}$, Selective | >150 ms |
| I_n , Rated Current at 30°C | 63 A @30°C |
| $I_{\Delta c}$, Rated Conditional Residual Short-Circuit Current | 10 kA |
| $I_{\Delta n}$, Rated Leakage Current | 100 mA |
| Poles | 3P + N |
| Neutral Pole Protected | Yes |
| Number of Poles versus Modules | 1 |
| Rated Frequency | 50 / 60 Hz Hz |
| U_n , Nominal Operational Voltage, AC | 415 V AC |
| U_{bmin} , Service Voltage, AC, Min | 205 V AC |
| U_{bmax} , Service Voltage, AC, Max | 455 V AC |
| I_m , Rated Make/Break Capacity | 500 A |
| $I_{\Delta m}$, Rated Residual Make/Break Capacity | 500 A |
| I_{nc} , Rated Conditional Short Circuit Current | 10 kA |
| $I_{\Delta c}$, Rated Conditional Residual Short-Circuit Current | 10000 A |
| U_{imp} , Impulse Withstand Voltage, 1.2/50 μ s | 8 kV, 1.2/50 μ s |
| Grid Distance (Safety Difference Between 2 Devices) | 35 mm |
| Isolator Application, IEC 60947-2 | Yes |
| U_i , Rated Insulation Voltage | 440 V (rms) |
| U_i , Rated Insulation Voltage, Protection Degree 2 | 440 |
| Insulation Resistance | 1000 M Ω |
| Dielectric Strength | 2500V |
| Electrical Service Life at U_n , I_n | 10000 cycles |
| Mechanical service life | 20000 cycles |
| Conductor Entry Position | Top / Bottom |



DIN-T

NHP Electrical Engineering Products

1300 NHP NHP | nhp.com.au | 0800 NHP NHP | nhp-nz.com

DSRCD463100A Datasheet

18 July 2019, Page 434 of

Catalogue No: **DSRCD-4-63-100-A**

RCCB DIN-SAFE 3P+N 63A 100mA TYPE A

Power Distribution and Protection > Circuit Breakers > Miniature Circuit Breakers and Earth Leakage Protection (RCDs and RCBOs) > DIN-Safe Residual Current Device > DIN-Safe Safety Switches (RCCBs) > DIN-Safe RCCB Type A



| | |
|---|---|
| IP Rating, Inside | IP40 |
| IP Rating, Outside | IP20 |
| Flammability Rating (UL94) | UL 94 V-2 |
| Wire / Conductor Size, Rigid Cable, Top, Max | 50 mm ² Top |
| Wire / Conductor Size, Rigid Cable, In, Min | 1.5 mm ² In |
| Wire / Conductor Size, Flex Cable, Top, Max | 35 mm ² Top |
| Wire / Conductor Size, Rigid Cable, Out, Min | 1.5 mm ² Out |
| Wire / Conductor Size, Rigid Cable, Bottom, Max | 50 mm ² Bottom |
| Wire / Conductor Size, Flex Cable, In, Min | 1.5 mm ² In |
| Wire / Conductor Size, Flex Cable, Bottom, Max | 35 mm ² Bottom |
| Wire / Conductor Size, Flex Cable, Out, Min | 1.5 mm ² Out |
| Tightening Torque, Top, Nominal | 5 Nm |
| Tightening Torque, Bottom, Nominal | 5 Nm |
| Busbar System, Top | Fork Pin |
| Busbar System, Bottom | Fork Pin |
| Trip-Free Mechanism | Yes |
| Mounting | DIN-35 Rail Mount |
| Add-On Devices (side add-on) | Auxiliary Contacts PBS Tele L Tele M Tele U |
| Padlockable | Yes, Non-Captive only (Ordered Separately) |
| Sealable | Yes Y / N |
| Centre Trip Position | No Y / N |
| Height | 86 mm |
| Width | 72 mm |
| Depth | 76 mm |
| Weight | 0.368 kg |
| Package Quantity | 3 qty |
| Approval(s) | N17482 |
| Operating Temperature, Min | -25 °C min |
| Operating Temperature, Max | 55 °C max |
| Storage Temperature, Min | -25 °C min |
| Storage Temperature, Max | 70 °C max |
| Relative Humidity, Max | 95 %RH |
| Shock Acceleration (Max.) | 40 g |
| Shock Duration (Max.) | 5 ms |
| Shock Rating | IEC 60077-16-3 |
| Vibration Acceleration (Max.) | 1.5 g |
| Vibration Frequency, Operational (Max.) | 80 Hz |
| Vibration Duration (Max.) | 30 min |
| Vibration Rating | IEC 60068-2-6 |
| Standards Compliance | AS/NZS 61008 EN 61008-1 IEC 61008-1 |
| Certifications | CE RCM |

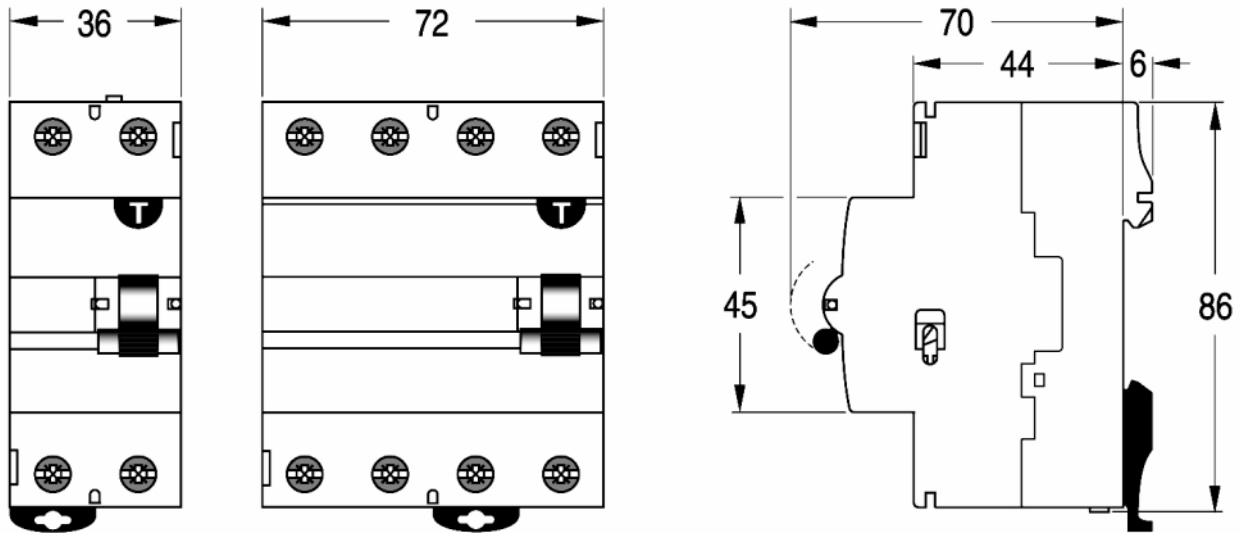
Catalogue No: **DSRCD-4-63-100-A**

RCCB DIN-SAFE 3P+N 63A 100mA TYPE A

Power Distribution and Protection > Circuit Breakers > Miniature Circuit Breakers and Earth Leakage Protection (RCDs and RCBOs) > DIN-Safe Residual Current Device > DIN-Safe Safety Switches (RCCBs) > DIN-Safe RCCB Type A



| REFERENCES | |
|---|---|
| IECEX Certificate | - |
| Supplier Declaration of Conformity: | DSRCDxxxxxx_Supplier Declaration of Conformity (SDoC) |
| Installation Guide: | - |
| User Manual: | - |
| Manufacturer Datasheet: | - |
| Manufacturer Catalogue & Product Selection: | - |

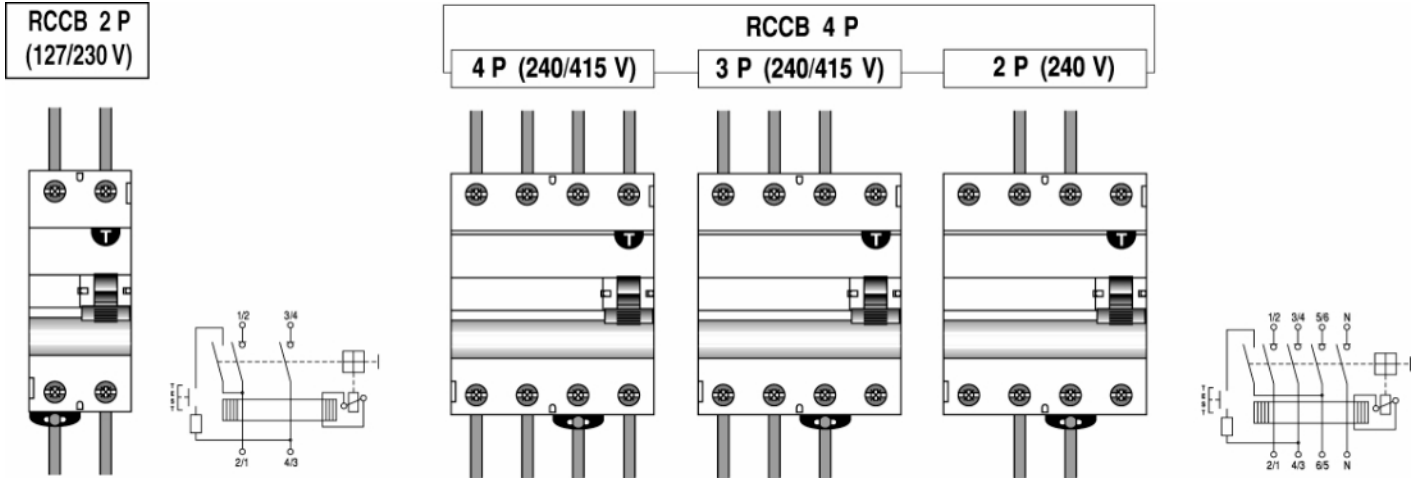


Dimension Diagram

Catalogue No: **DSRCD-4-63-100-A**

RCCB DIN-SAFE 3P+N 63A 100mA TYPE A

Power Distribution and Protection > Circuit Breakers > Miniature Circuit Breakers and Earth Leakage Protection (RCDs and RCBOs) > DIN-Safe Residual Current Device > DIN-Safe Safety Switches (RCCBs) > DIN-Safe RCCB Type A



Connection / Wiring Diagram