



Representative Photo Only
(actual product may vary based on configuration selections)

Xenon Beacon (Strobe) 115V AC - Base and Globe Only - No Lens

- Complete visual signalling range from high efficiency static or flashing LED's to high discharge Xenon beacons to rotating parabolic reflector beacons, we have the solution suitable for your application.
- Available in a variety of frame sizes and with accessories such as protective cages and brackets to cater to your mounting requirements.
- Multiple colour varieties available including Red, Green, Amber and Blue to convey whichever message is required.

SPECIFICATIONS

Product Series	X125
Indication Mode(s)	Sight
Lamp Type	Xenon type
Illumination Mode	Flashing
Energy, Flash	2.3 J
Un, Nominal Operational Voltage, AC	115 V AC
Input Frequency, Nom	50 / 60 Hz
Ie, Rated Operational Current, nom	0.03 A,nom
Ie, Rated Operational Current, nom	0.03 A,nom
Material, Base	ABS
Connection / Termination	Fixed (non-removable) Terminal Block
Number of Terminals	2 qty
Mounting, Terminal Block	Internal Mount
IP Rating	IP65
Mounting (Multiple)	Surface Mount Conduit Mount Wall Mount
Weight	0.17 kg
Operating Temperature, Min	-25 °C min
Operating Temperature, Max	55 °C max
Certifications	CE RoHS

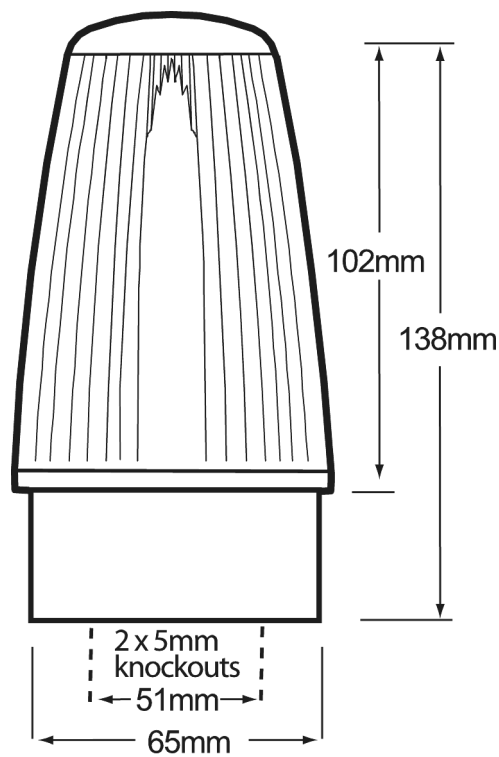
Catalogue No: **MOX125-55**

BEACON ES 2.3J-XENON FLASH/STROBE IP65 115V AC BASE

Signalling Devices > Sight Indication > Beacons > Moflash Beacons > Xenon Beacons > MOX125 Series - Xenon Beacons



REFERENCES	
IECEX Certificate	-
Supplier Declaration of Conformity:	-
Installation Guide:	-
User Manual:	-
Manufacturer Datasheet:	MOX125-55_ManufacturerDatasheet
Manufacturer Catalogue & Product Selection:	-



Dimension Diagram