



PRATLEY®

www.pratleyelectrical.com

BOTTOM ENTRY CABLE JUNCTION BOXES (Ex e/n & GENERAL PURPOSE)



With Black or
Transparent Lid



2m continuous



(Shown fitted with Pratley
Enviroglands)

CERTIFICATION



IA CERTIFICATE N°
S-XPL/15.1783X

Ex e IIC T6 Gb • Ex nA IIC T6 Gc

Ex tb IIIC T85°C Db

IP66/IP68

IEC / SANS 60079-0

IEC / SANS 60079-7

IEC / SANS 60079-15

IEC / SANS 60079-31

IEC / SANS 60529

Suitable for use in
Zone 1, 2, 21 and 22.

FEATURES & BENEFITS

- Manufactured from tough engineering plastic.
- Fitted with raised dome lid (Black or Transparent).
- Complete with encapsulated internal earth.
- 3 x Threaded Bottom Entries.
- Waterproof (IP66 / IP68).
- Can accommodate a Cranked Terminal Rail & Spacer for the N° 1 Box and a N35 Terminal Rail for the N° 2 Box.

POLICY
STATEMENT

"The performance of
our products must
exceed all others on
the world market"

KGM Pratley

PRATLEY BOTTOM ENTRY CABLE JUNCTION BOXES (Ex e/n & GENERAL PURPOSE)

Sales
Leaflet
No. 021

Febr
2022

This box is for use with armoured or unarmoured cable. Box comes standard with 3 x threaded entries. Supplied complete with terminal rail. Box must be fitted with Pratley Ex e Kwikbloks for Ex e applications. Pratley Non-sparking End Connectors may be used for Ex n applications.

Lid

Can be fitted with black (standard) or transparent lid

M5 Pan Head Screw with stainless steel washer

2 x Mounting Lugs for the No. 1 box

3 x Slotted Mounting Lugs for the No. 2 box



M5 stainless steel Pan Head Screw with stainless steel washer

Internal Earth

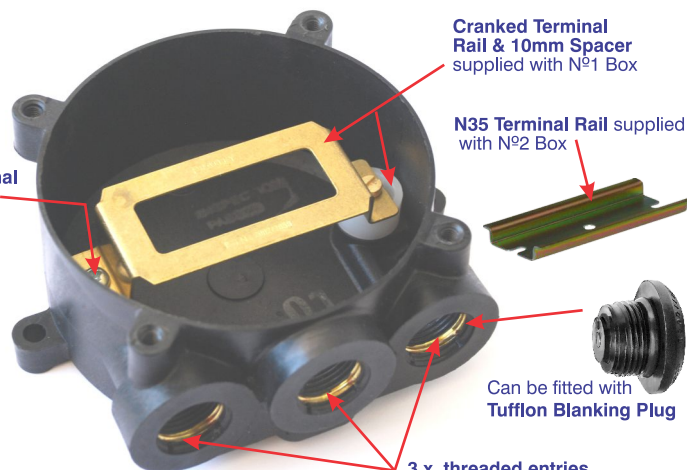
Cranked Terminal Rail & 10mm Spacer supplied with N°1 Box

N35 Terminal Rail supplied with N°2 Box

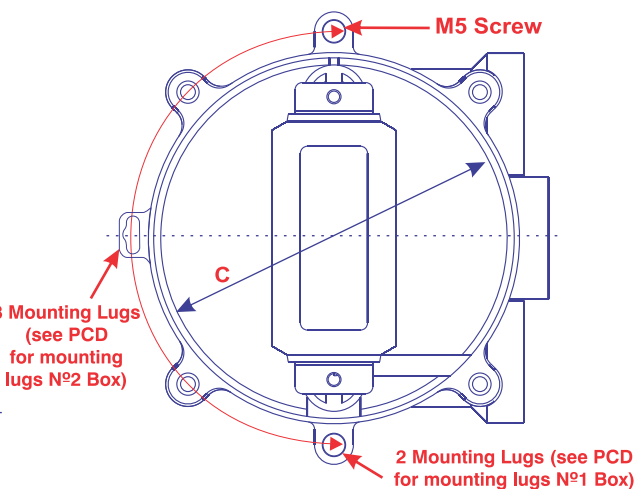
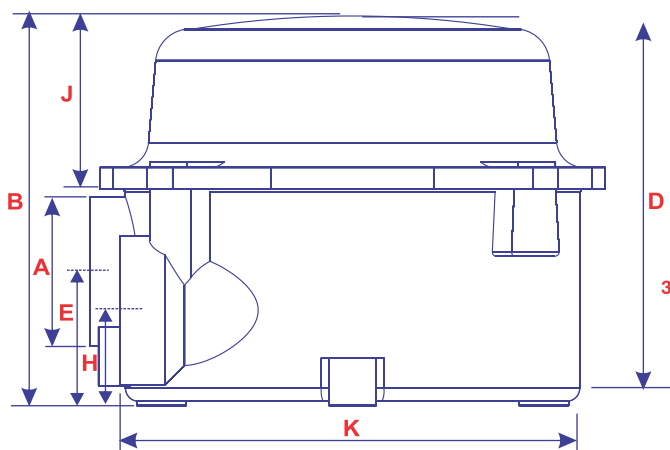
Can be fitted with Tufflon Blanking Plug

3 x threaded entries.

Gland entries connected to encapsulated earth bar.



PRATLEY BOTTOM ENTRY BOX DIMENSIONS & SPECIFICATIONS



PRATLEY BOTTOM ENTRY BOX DIMENSIONS

Size	A Entry Thread	B Overall Height	C Internal Diam.	D Internal Depth	E	H	J Lid Height	PCD for Mounting Lugs	K OD
1	20 x 1.5P	89	101.0	81.7	30.0	22.0	40.0	116.8	105.0
2	25 x 1.5P	103	127.0	91.0	37.0	29.5	43.5	148.0	132.0

NUMBER OF PRATLEY KWIKBLOKS PER BOTTOM ENTRY BOX

Blok Size	IK3 750/800V 27A	IK5 750/800V 36A	IK10 750/800V 67A	IK16 750/800V 87A	IK25 750/800V 115A	IK50 750/800V 150A	IK70 750/800V 220A
Box Size	Ex e IK3 550V 15A	Ex e IK5 550V 21A	Ex e IK10 550V 37A	Ex e IK16 550V 47A	Ex e IK25 550V 63A	Ex e IK50 550V 98A	Ex e IK70 550V 121A
	Max.	Max.	Max.	Max.	Max.	Max.	Max.
1	8	8	6	5	N/A	N/A	N/A
2	15	15	9	7	5	4	3

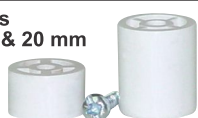
PRATLEY BOTTOM ENTRY BOXES WITH BLACK OR TRANSPARENT LID (3 x THREADED ENTRIES)

BOX SIZE & CONFIGURATION	Ex e/n(See Note*)		STANDARD(See Note*)	
	C/W BLACK LID CAT N°	C/W TRANSPARENT LID CAT N°	C/W BLACK LID CAT N°	C/W TRANSPARENT LID CAT N°
No.1(3 x 20mm Entries)	57248	57249	57258	57259
No.2(3 x 25mm Entries)	57656	57657	57650	57651

*NOTE: When ordering specify Black or Transparent (Polycarbonate) see through lid.

Use catalogue no. when ordering

Spacers
10 mm & 20 mm



SPACERS	
Size	Cat. No.
10 mm	30001
20 mm	30000

Use catalogue no. when ordering

CRANKED BRASS TERMINAL RAIL

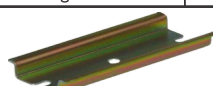
Box Size	N° 1
Catalogue Number	57267



The unique design allows conductors to pass underneath.

N35 BRASS TERMINAL RAIL

Box Size	N° 2
Catalogue Number	30111



Use catalogue no. when ordering

PRATLEY TUFFLON BLANKING PLUGS

SIZE	THREAD SIZE	CAT N°	USUAL PACK QTY
0	20mm	57800	10
1	25mm	57801	10



Use catalogue no. when ordering

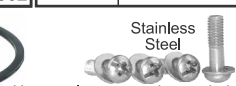
NOTE: Pratley Tufflon Blanking Plug (Must be ordered separately).

REPLACEMENT GASKETS

Box N° 1	Cat. N° 57256
Box N° 2	Cat. N° 57662

REPLACEMENT LID FASTENERS

Box N° 1 & N° 2	Cat. N° 57257
-----------------	---------------



Use catalogue no. when ordering

Pratley (Pty) Limited (Reg. No. 1996/003890/07)

Jackson Street • Factoria • Krugersdorp • Gauteng
PO Box 3055, Kenmare 1745 • Gauteng • South Africa

+27 11 955 2190

sales@pratley.co.za



/PratleySA



@PratleySA



/PratleySA



/company/pratleysa

www.pratleyelectrical.com

