



Edgelight

Recessed / Exit signs



6844 20 + 6844 00



LED Edgelight series - 4x1w LED

The housing is made of zinc-coated steel finished in white acrylic baked enamel, fronted by a die formed faceplate.

The body is supplied complete with recess mounting brackets.

This Edgelight series offers long lasting performance with the traditional clean lines preferred by many designers.

Large terminal block for ease of connection.

Body and Diffuser supplied separately.

Can be configured as maintained or non maintained.

Diffusers are suitable for SPU and computerised fittings.

Pack	Cat No.	SPU's
1	6844 20	Premium NiCd two rate charge LED 4x1w Body Only
		Single-sided diffusers
		Painted Steel Frame, Laminated Acrylic Panel. complete with legend, additional LED & Aerial holes. Suitable for both SPU's and computer monitored fittings
1	6844 00	Running Man Straight
1	6844 01	Running Man Left
1	6844 02	Running Man Right
1	6844 03	Running Man Straight (GOB)
1	6844 04	'EXIT'
1	6844 05	'EXIT' Arrow Left
1	6844 06	'EXIT' Arrow Right
1	6844 07	'EXIT' Arrows Both Ways
		Double-sided diffusers
		Complete with legend, additional LED & Aerial holes. Suitable for both SPU's and computer monitored fittings
1	6844 08	Running Man Straight
1	6844 09	Running Man Left/Right
1	6844 10	'EXIT'
1	6844 11	'EXIT' Arrow One Way
1	6844 12	'EXIT' Arrows Both Ways

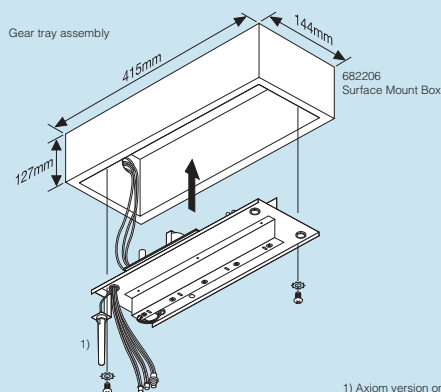
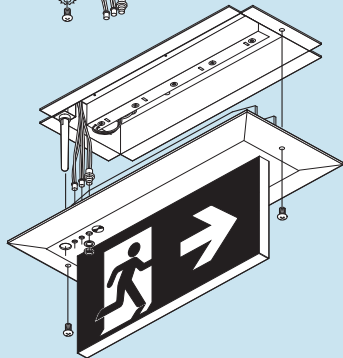
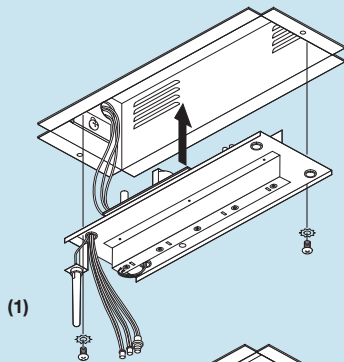
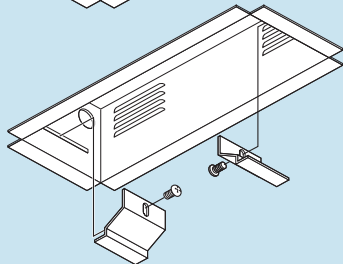
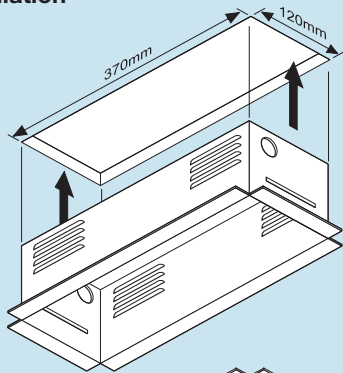
Pack	Cat No.	Computer monitored SPU's
1	6844 22	AXIOM Wireless/Commander Wired LED 4 x 1w Body Only
		Accessories
1	6822 06	Surface mount box only
1	6844 21	LED Gear tray only
1	6844 23	LED Axiom gear tray only
1	6846 89	Battery Pack 2 x 2 Sub-C NICD with mounting Plate
1	2010 58	Commander Comm Cable

NOTE: When an Axiom fitting is used on a Commander network, a communications cable Cat No 2010 58 must be used and ordered separately.

Edgelight

LED recessed / exit signs technical specifications

Product Installation



1) Axiom version only

(1) Only on Axiom fittings

LED Edgelight – Technical specifications

	Premium/Axiom
Operation Mode	Maintained / Non-Maintained
Lamp	4x1W HBLED
Battery	Ni-Cd 4xSub-C 4.8Vdc 1.5Ah
Battery Charging Circuit	Two rate charge
Charging Current	150mA - 40mA
Power Consumption	4.5W
Construction	Powder coated zinc-coated steel
Diffusers	Inner: Clear acrylic Outer: Medium density opal acrylic
Operating Voltage:	240Va.c. 50Hz
Operating Temperature	10°C to 40°C

Emergency Lighting Classification

Body Cat No	Diffuser fitted Single or double sided	Photometric C ₀ /C ₉₀ Report
684420	S	C8 E20
684420	D	C8 E20
684422	S	C8 E20
684422	D	C8 E20

Emergency Lighting Spacing Table

	Mounting Height (metres)									
	2.1	2.4	2.7	3	3.3	3.6	4	4.5	5	
C8	6.8	7.2	7.4	7.7	7.9	8.0	8.2	8.3	8.2	
E20	8.8	9.6	10.4	11.0	11.6	12.2	13.0	13.6	14.4	

