

Quick Reference Guide

KRONE Fuse Switch Disconnects and Outdoor Connectors

Australian Powerline Industries
1B Cross Street
Brunswick East
VIC 3057

Ph. - (03) 9387 1077
Email - sales@apipower.com.au

Contents

KGH Series Fuse Switch Disconnectors

3

KGH160 Fuse Switch Disconnectors 160A

3

KGH250 Fuse Switch Disconnectors 250A

5

KGH400 Fuse Switch Disconnectors 400A

7

N-BLOCK

9

N-BLOCK Outdoor Connector

9

KGH160

Features

- Fully Insulated
- On-load switching capability
- Corrosion proof
- Suits standard hook-stick
- Integral mounting bracket for bolting or strapping

The KRONE KGH160 Switch

The upper housing, with integral mounting bracket, holds the conductor, terminals and fuse contacts.

The lower housing is hinged for easy opening and closing. It houses the size 00 fuse links (to IEC 269) or connecting links.

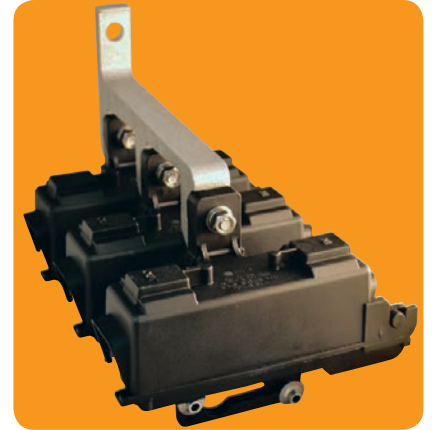
Cable Termination

The KGH160 is available with -

- Pillar type terminals for stripped copper and aluminium compacted cables ranging from 16- 95mm²



*Pillar
Type
Terminal*



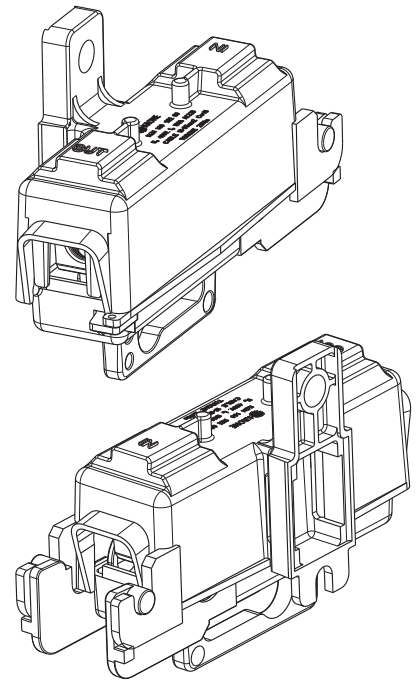
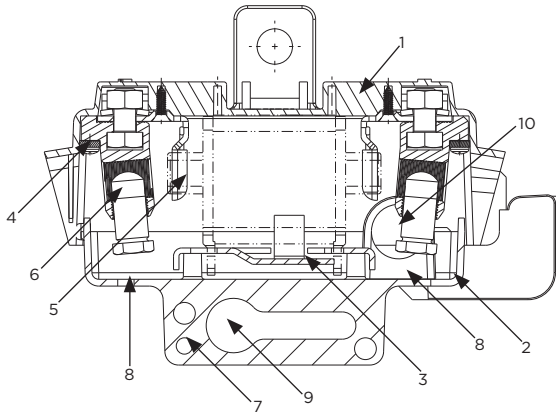
PLEASE NOTE - THE KGH160 IS NOT APPROVED FOR USE IN ALL AREAS. PLEASE ADVISE CUSTOMER TO FIND OUT FROM THERE INSPECTOR PRIOR TO PURCHASING IF THIS UNIT WILL BE SUITABLE FOR USE. THIS UNIT USES SIZE (00) FUSES. THIS ITEM IS NON RETURNABLE.

PART NO.	DESCRIPTION	No of Poles	Ganged Switching	Pillar
				Ni plated for 1x16-95mm ² Al & Cu compacted cables
KGH160	FUSE DISCONNECT SWITCH 160 AMP	3	yes	in/out

Australian Powerline Industries
1B Cross Street
Brunswick East
VIC 3057

Ph. - (03) 9387 1077
Email - sales@apipower.com.au

Cross Section KGH160



- | | |
|---------------------------------------|--|
| 1. Upper housing | 7. Rod actuating pin (optional) |
| 2. Hinged removable lower housing | 8. Voltage test points |
| 3. Fuse-link retaining clip | 9. Hook stick position for opening/
closing |
| 4. Nickel plated pillar terminal | 10. Hook stick position for removal/
replacement of cover |
| 5. Nickel plated copper alloy contact | |
| 6. Stainless steel terminating screw | |

Technical Data

In accordance with tests and requirements to IEC 947-3

Rated operational voltage, U_e	480V
Rated insulation voltage, U_i	1000V
Rated frequency	50Hz
Rated operational current, I_e	
- with connecting links	250A
- with fuse links	160A
Utilisation category	AC22B
Rated conditional short-circuit current with fuse links	50kA
Infrequent operation with current	200
Infrequent operation without current	1400
Degree of protection	IP2L4
Mass (without fuse)	370g

KGH250

250A

Features

- Extremely compact
- One or three-pole units
- On-load switching capability
- Corrosion proof
- Fully insulated
- Suits standard hook-stick
- Individual, hinged terminal covers for maximum safety

The KRONE KGH250 Switch

The upper housing holds the conductor, terminals and contacts. The lower housing is hinged for easy opening and closing. It houses the mounting for size 1-2 fuses, links or short circuiting facilities. Switch is supplied with mounting bracket.

Cable Termination

The KGH250 is available with -

- Pillar type terminals for stripped copper and aluminium compacted cables ranging from 25-185mm².



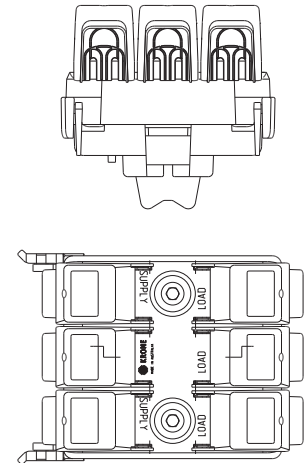
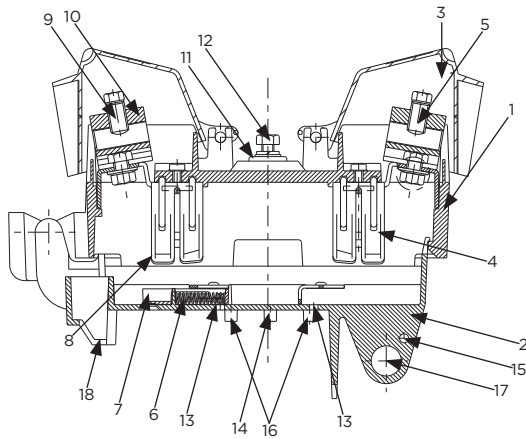
Pillar Type Terminal

PART NO.	DESCRIPTION	No of Poles	Ganged Switching	Pillar
				Ni plated for 2x25 - 185mm ² Al & Cu compacted cables
KGH250	FUSE DISCONNECT SWITCH 250 AMP	3	yes	in/out

Australian Powerline Industries
1B Cross Street
Brunswick East
VIC 3057

Ph. - (03) 9387 1077
Email - sales@apipower.com.au

Cross Section KGH250



- | | |
|---|--|
| 1. Upper housing | 10. Aluminium pillar terminal |
| 2. Hinged removable lower housing | 11. Switch mounting bracket |
| 3. Hinged terminal cover | 12. Switch mounting screw |
| 4. Arc chute | 13. Voltage test points |
| 5. Stainless steel 12mm bolted lug type terminal (option) | 14. Neon indicator (option) |
| 6. Fuse-link retaining clip | 15. Rod actuating pin (optional) |
| 7. Yellow indicator fuse-link/connecting-link installed | 16. Connecting-link storage position (option) |
| 8. Nickel plated copper alloy contact | 17. Hook stick position for opening/closing |
| 9. 13 A/F hexagon head terminating screw | 18. Hook stick position for removal/replacement of cover |

Technical Data

In accordance with tests and requirements to IEC 947-3 and AS2847-3

Rated operational voltage, Ue	450V
Rated insulation voltage, Ui	1000V
Rated frequency	50-60Hz
Rated impulse withstand voltage, Uimp	16kV
Rated operational current, Ie	
- with fuse links	250A
- with connecting-links	250A
Rated make-break current at 0.65pg	375A
Rated short-time withstand current Icw for one second	
- with connecting links	25kA
Rated short-circuit making capacity Icm	
- with connecting links	10kA
Rated conditional short-circuit current	
- with fuse-links	50kA
Utilisation category	AC 22 B
Infrequent operation with current	200
Infrequent operation without current	1400
Degree of protection	IP2L4
Mass (without fuse)	6.2kg

KGH400

Features

- Extremely compact
- One or three-pole units
- On-load switching capability
- Corrosion proof
- Fully insulated
- Suits standard hook-stick
- Individual, hinged terminal covers for maximum safety

The KRONE KGH400 Switch

The upper housing holds the conductor, terminals and contacts.

The lower housing is hinged for easy opening and closing.

It houses the mounting for size 1-2 fuses, links or short circuiting facilities.

Switches are available in triple pole versions.

The triple pole switch is supplied with mounting bracket.

Cable Termination

The KGH400 is available with -

- Pillar type terminals for stripped copper and aluminium compacted cables ranging from 25-185mm².



Pillar Type Terminal

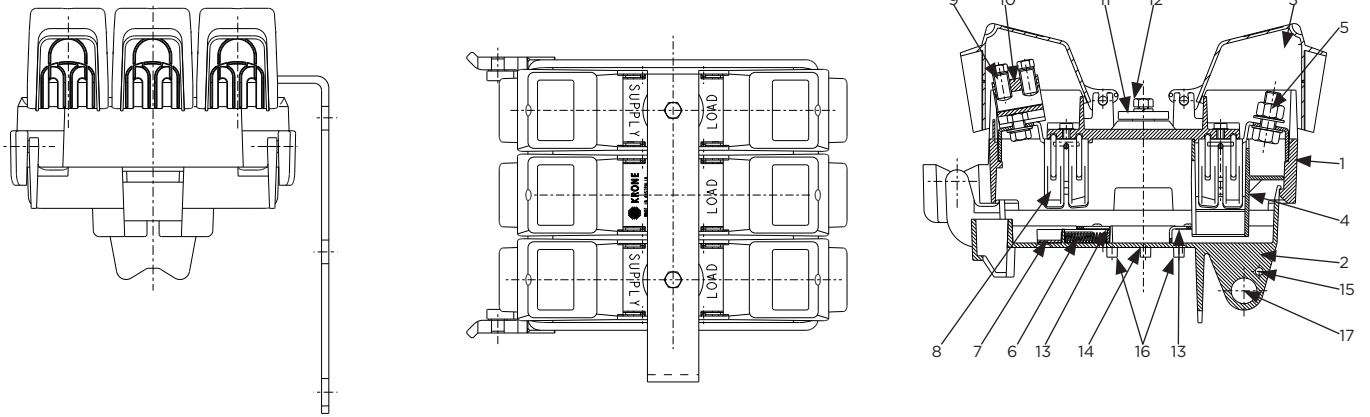


PART NO.	DESCRIPTION	No of Poles	Ganged Switching	Pillar
				Ni plated for 2x25 - 185mm ² Al & Cu compacted cables
KGH400	FUSE DISCONNECT SWITCH 400 AMP	3	yes	in/out

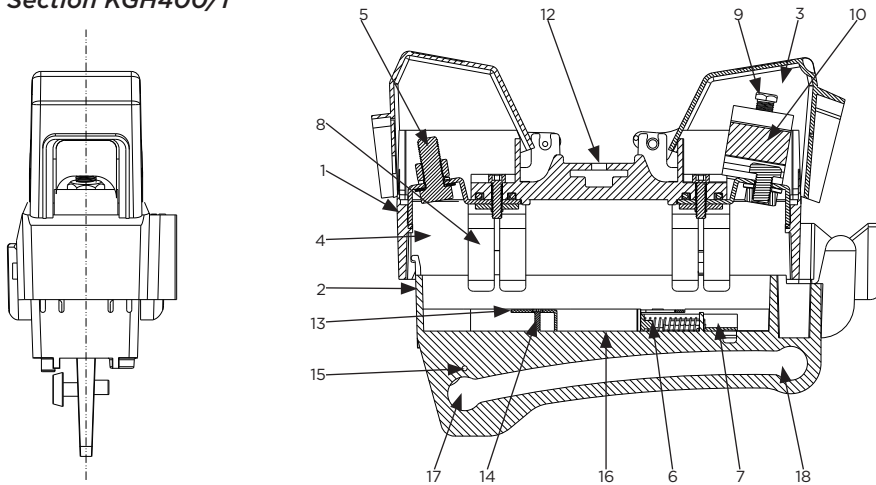
Australian Powerline Industries
1B Cross Street
Brunswick East
VIC 3057

Ph. - (03) 9387 1077
Email - sales@apipower.com.au

Cross Section KGH400



Cross Section KGH400/1



- 1. Upper housing
- 2. Hinged removable lower housing
- 3. Hinged terminal cover
- 4. Arc chute
- 5. Stainless steel 12mm bolted lug type terminal (option)
- 6. Fuse-link retaining clip
- 7. Yellow indicator fuse-link/ connecting-link installed
- 8. Nickel plated copper alloy contact
- 11. Switch mounting bracket
- 12. Switch mounting screw
- 13. Voltage test points
- 14. Neon indicator (option)
- 15. Rod actuating pin (optional)
- 16. Connecting-link storage position (option)
- 17. Hook stick position for opening/ closing
- 18. Hook stick position for removal/ replacement of cover

Technical Data

In accordance with tests and requirements to IEC 947-3 and AS2847-3

	KGH400	
Rated operational voltage, Ue	450V	
Rated insulation voltage, Ui	1000V	
Rated frequency	50-60Hz	
Rated impulse withstand voltage, Uimp	16kV	
Rated operational current, Ie		
- with fuse links	400A	
- with connecting-links	630A	
Rated make-break current at 0.65pg	945A	
Rated short-time withstand current 1cw for one second		
- with connecting links	25kA	
Rated short-circuit making capacity 1cm		
- with connecting links	10kA	
Rated conditional short-circuit current		
- with fuse-links	50kA	
Utilisation category	AC 22 B	
Infrequent operation with current	200	
Infrequent operation without current	1400	
Degree of protection	IP2L4	
Mass (without fuse)	6.5kg	

N-BLOCK

12kV

Features

- Re-usable connector
- Fully insulated
- IP24 protection
- UV resistant polyimide housing
- Corrosion proof
- Flexible easy mounting
- Test access
- Multiple cable connections
- Accepts cable 25-185mm² aluminium or copper

The **KRONE Type N-BLOCK** is an outdoor low voltage cable connector designed for use with KRONE's range of low voltage fuse switch disconnectors. The N-BLOCK solves the problem of how to connect neutral cables and, at the same time, giving easy voltage test point access.

Mounting

The N-BLOCK may be free hanging or secured to a mounting bracket (widths 40 and 24mm) using the cable tie provided.

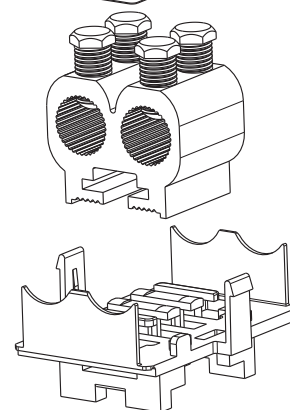
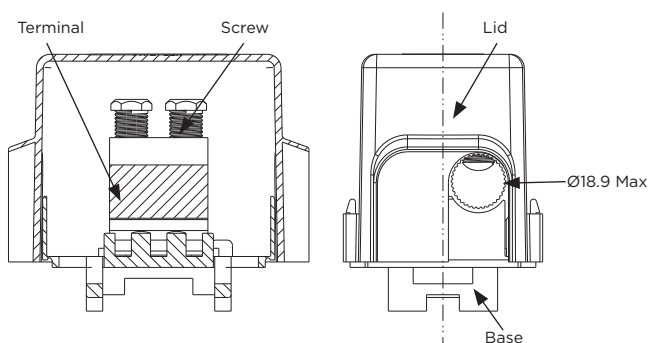
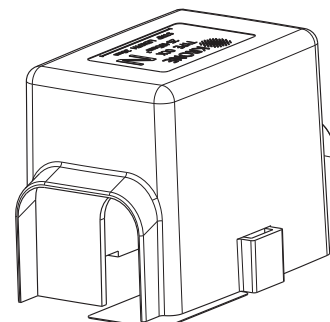
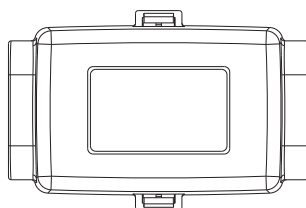
Benefits

- Neutral cable connections
- Phase cable connections
- Access point for testing
- Connection point for earth leads
- Connection for different cable sizes

Materials

Base/Lid: Polyamide (UV stabilised) black

Pillar Terminal: Aluminium alloy



PART NO.	DESCRIPTION	Pillar
		for 25 - 185mm ² Al/Cu 2 cables in / 2 cables out
N-BLOCK	OUTDOOR CONNECTOR 2X25-185MMSQ TUNNEL - NEUTRAL LINK	

Technical Data

Rated operational voltage, Ue	450V
Rated insulation voltage, Ui	1000V
Rated impulse withstand voltage, Uimp	12kV
Degree of protection	IP24