

Catalogue No: **TAI BB 250/5A**  
**CURRENT TRANSFORMER 250/5A**

Energy Management and Building Automation > Energy Management and Metering > Transducers and Transformers > IME Transformers > Cable type Current Transformers > TAIBB



**CURRENT TRANSFORMER 250/5A**

- Available in a broad range of primary currents 40. . . 6000A
- 5A or 1A secondary
- Cable or Busbar type
- Split or solid core
- High accuracy Class 0.5M



Representative Photo Only  
 (actual product may vary based on configuration selections)

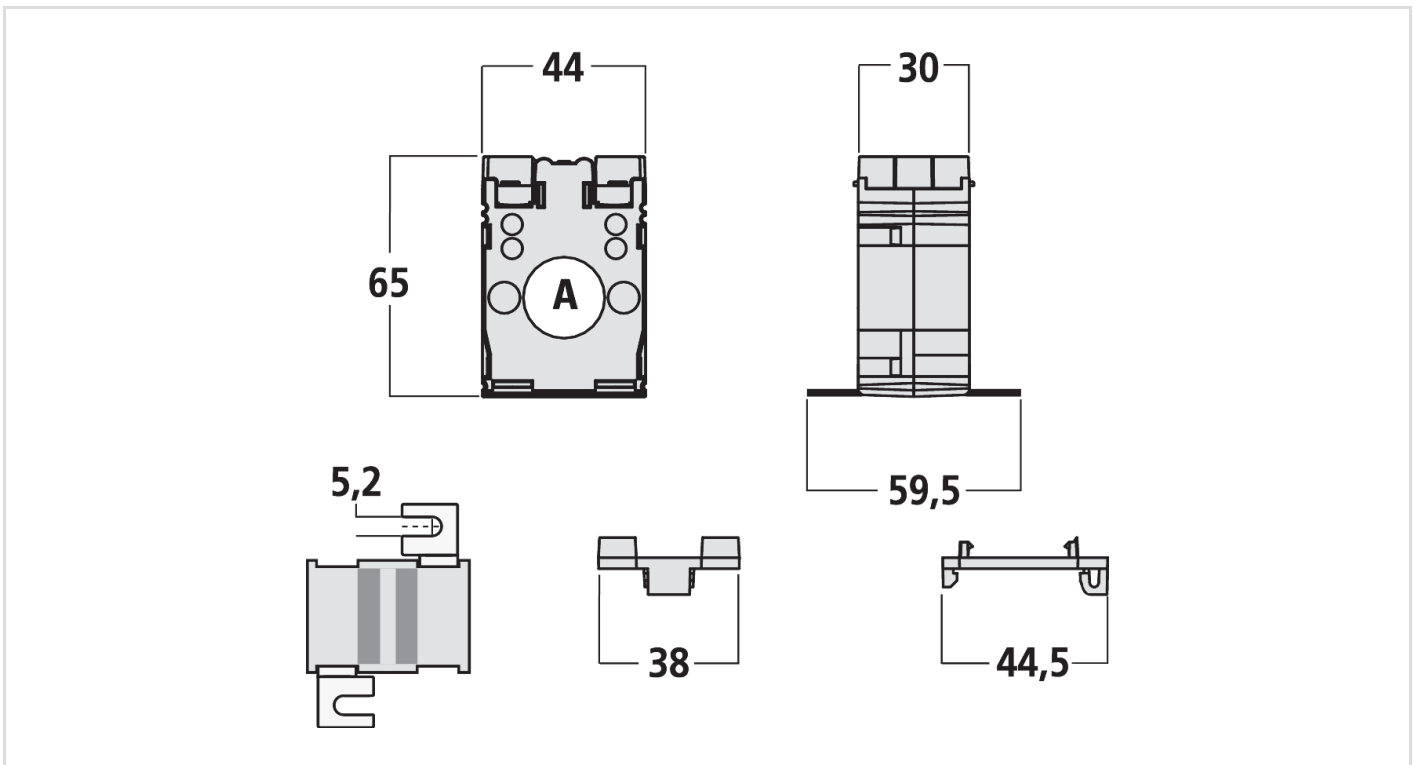
SPECIFICATIONS	
Product Series	TAIBB
Component Type Metering	Current Transformer
I <sub>pn</sub> , Primary Current, Rated	250
I <sub>sn</sub> , Secondary Current, Rated	5
Accuracy Class	0.5 1
Burden, Accuracy Class 0.5	5
Burden, Accuracy Class 1	6
Rated frequency	50
Operational Frequency, Min	47
Operational Frequency, Max	63
U <sub>m</sub> , System Voltage, Max (rms)	0.72
Insulation Class	B
U <sub>i</sub> , Rated Insulation Voltage	3000
Rated Insulation Time, Max	60
Details, Insulation	Dry transformer, air insulation
I <sub>th</sub> , Thermal Current, Short Time, 1s	15
I <sub>cth</sub> , Thermal Current, Continuous	0.25
I <sub>dyn</sub> , Current, Dynamic	37.5
Security Factor	<=5
Power Dissipation, Max	3
Busbar / Cable Temperature, Max	125
Mounting (Multiple)	Busbar Mount DIN-35 Rail Mount
Material, body / housing	PC (Polycarbonate)
IP rating, body / housing	IP40
IP Rating, Terminals	IP 20
Height	44

Catalogue No: **TAI BB 250/5A**  
**CURRENT TRANSFORMER 250/5A**

Energy Management and Building Automation > Energy Management and Metering > Transducers and Transformers > IME Transformers > Cable type Current Transformers > TAIBB



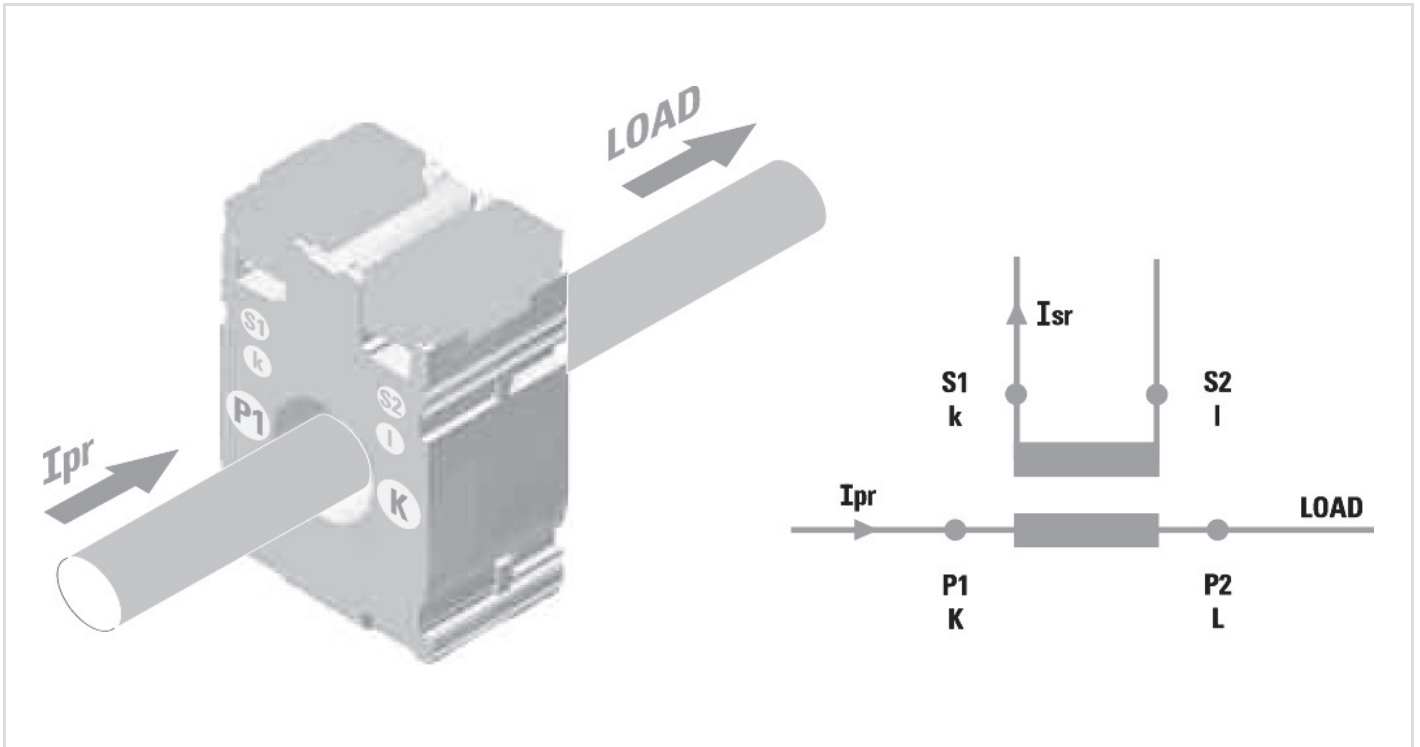
Width	59.5
Depth	65
Weight	0.18
Operating temperature, min	-25
Operating temperature, max	50
Continuous Temperature, Max	30
Storage temperature, min	-40
Storage temperature, max	85
Relative humidity, max	85
Humidity type	Short-Term Condensation
Standards Compliance	EN 61869-1 EN 61869-2 IEC 61869-1 IEC 61869-2



Dimension Diagram

Catalogue No: **TAI BB 250/5A**  
CURRENT TRANSFORMER 250/5A

Energy Management and Building Automation > Energy Management and Metering > Transducers and Transformers > IME Transformers > Cable type Current Transformers > TAIBB



Connection / Wiring Diagram