

Catalogue No: **RD3AF14**
ELR DIN MOUNT 2P 1C/O 240V AC

Power Distribution and Protection > Earth Leakage Protection > Earth Leakage Relays > IME Earth Leakage Relays and Toroids > DIN Mount Earth Leakage Relays > RD3AF series



Earth Leakage Relay RD3A, DIN mount 2 module 240V AC

- DIN mount relay, 2 poles
- 1 x trip change-over contact
- LED indication 20%, 40% & 60%
- Field selectable positive or negative security
- 2-wire toroid connection
- 30mA to 30A sensitivity and up to 5s time delay
- Harmonic filter

Representative Photo Only
 (actual product may vary based on configuration selections)

SPECIFICATIONS	
Component Type	Power Distribution & Protection
Component Type	Earth Leakage Relay
Details, Connection	Low voltage lines, with series TD transformer.
Input frequency, nominal	50
Operational Frequency, Min	47
Operational Frequency, Max	63
Umin, Supply Voltage, AC, Min	204
Un, Supply Voltage, AC, Nom	240
Umax, Supply Voltage, AC, Max	264
Burden, Rated	2.5
Power Dissipation, Max	2
Number of Setpoints	19
Setpoint Range(s)	0.03 ... 30A Configurable
Configuration Method	Keypad
Trip Time, Max	5000
Details, Indicator	Power ON: Green LED "ON". Alarm intervention: Red LED "Trip" + Relay switching. Ring current transformer - relay connection failure: Red LED "Trip" blinking + Relay switching.
Display Technology	LED Sequence
Reset Type	Automatic / Manual
Alarm Function	Yes
Details, Alarm	1 Relay output alarm. Trip state memorization: Red LED "Trip" + Relay self-retaining.
Contact configuration	1 CO
Reverse Polarity Protection	Yes
Details, Output(s)	1 SPDT contact. Positive and Negative security.
Installation Category	III
Pollution Degree	2

Catalogue No: **RD3AF14**

ELR DIN MOUNT 2P 1C/O 240V AC

Power Distribution and Protection > Earth Leakage Protection > Earth Leakage Relays > IME Earth Leakage Relays and Toroids > DIN Mount Earth Leakage Relays > RD3AF series



Ui, Rated Insulation Voltage	450
Uimp, Impulse Withstand Voltage	5
Terminal Type	Screw Terminal(s)
Mounting	DIN-35 Rail Mount
Material, body / housing	PC (Polycarbonate)
IP Rating, Front	IP50
IP Rating, Terminals	IP20
Operating temperature, min	-5
Operating temperature, max	55
Storage temperature, min	-40
Storage temperature, max	70
Humidity type	Short-Term Condensation
Height	89
Width	35
Depth	65.6
Weight	0.2
Standards Compliance	EN 60947-2 IEC 60947-2 EN 60947-1 IEC 60947-1 EN 60755 DIN 43880 EN 60715 IEC 60715 IEC 60529 EN 60529 IEC 60755 AS 60947-2 EN 50081-1 EN 50082-2 EN 55011

REFERENCES

IECEx Certificate -

Supplier Declaration of Conformity: -

Installation Guide: -

User Manual: [RD3AF14_User Manual](#)

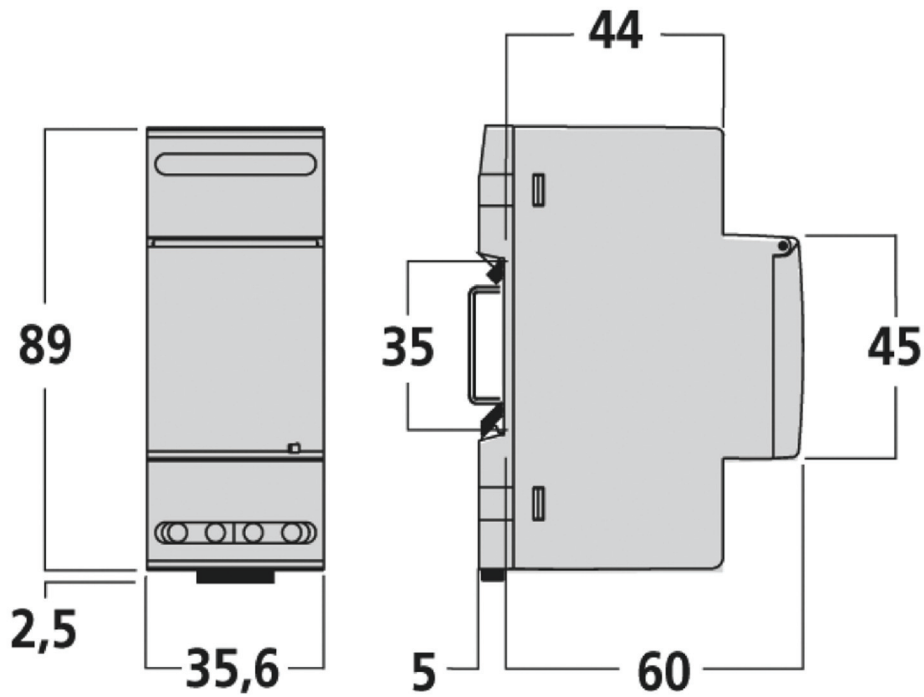
Manufacturer Datasheet: [RD3AF14_Manufacturer Datasheet](#)

Manufacturer Catalogue & Product Selection: -

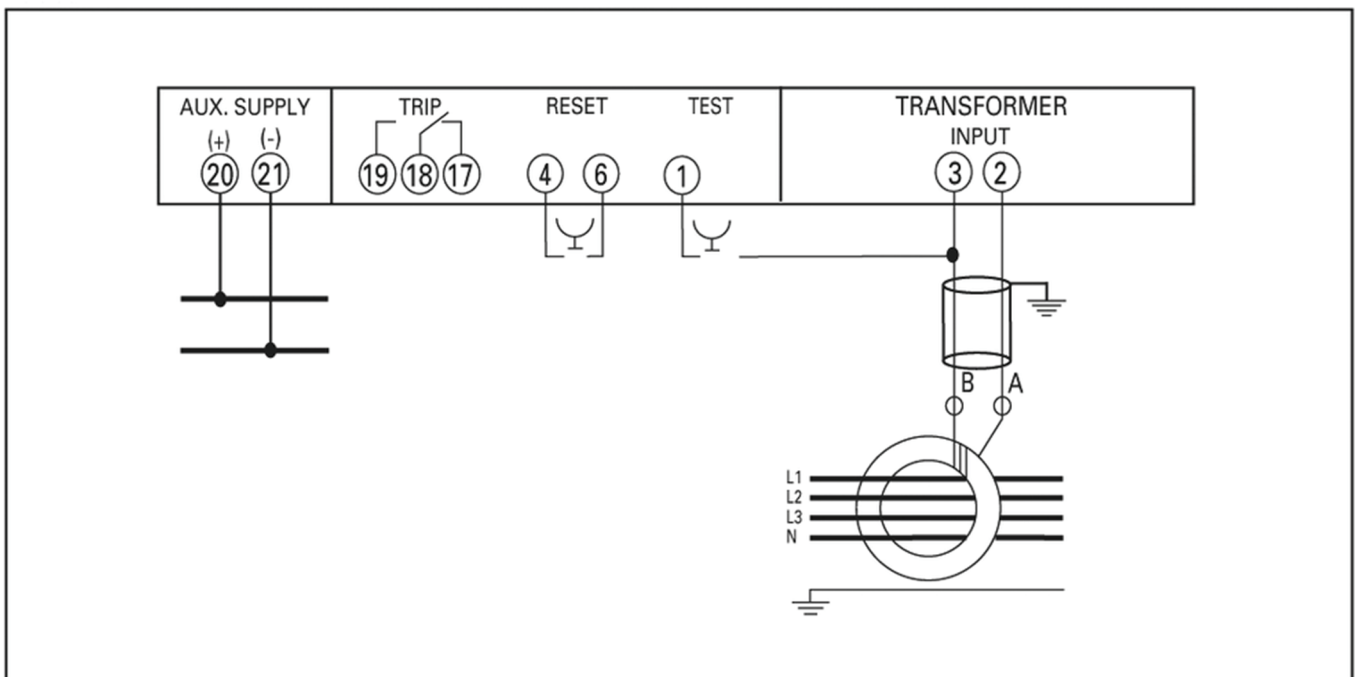
Catalogue No: **RD3AF14**

ELR DIN MOUNT 2P 1C/O 240V AC

Power Distribution and Protection > Earth Leakage Protection > Earth Leakage Relays > IME Earth Leakage Relays and Toroids > DIN Mount Earth Leakage Relays > RD3AF series



Dimension Diagram



Catalogue No: **RD3AF14**

ELR DIN MOUNT 2P 1C/O 240V AC

Power Distribution and Protection > Earth Leakage Protection > Earth Leakage Relays > IME Earth Leakage Relays and Toroids > DIN Mount Earth Leakage Relays > RD3AF series



Technical Diagram