

Fire and Acoustic Rated Wall Boxes

CAT NO. 435, 435/2, 435BU20, CM435/2



Fire and Acoustic rated wall box suitable for residential and commercial applications such as hospitals, hotels, public buildings and multi-dwelling apartments.

- Back-to-back configuration:
 - /120/60 (1-hour applications)
 - /180/120 (2-hour applications)
- Single-sided configuration:
 - /120/120 (2-hour applications)
 - /180/180 (3-hour applications)
- Weighted sound reduction index (Rw) 62
- 84mm centre installations
- Corrosion resistant
- Robust design
- Suitable for plaster wall 10mm to 32mm thick
- Knockouts for easy cable access
- AS1530.4 in conjunction with AS4072.1 (Fire rating)
AS1191, AS1276.1 and ISO717.1 (Acoustic rating)

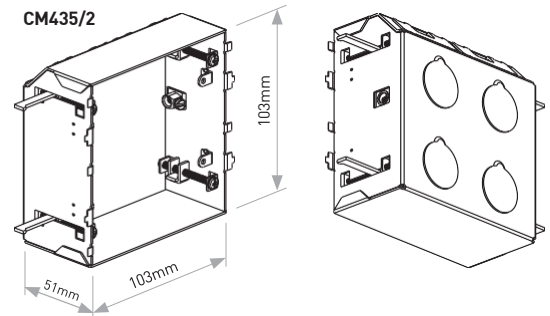
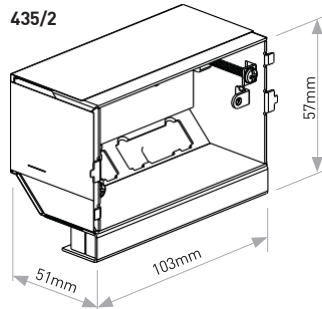
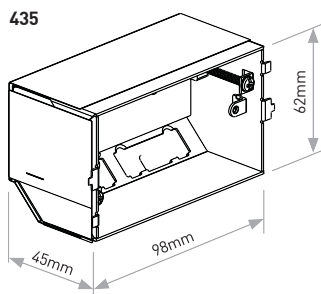
| Single product | | | |
|----------------|-------------------|--------|---------------|
| Cat No | Dimensions (mm) | Weight | Barcode |
| 435 | 120W x 70H x 60D | 250g | 9321001392224 |
| 435/2 | 120W x 70H x 60D | 280g | 9321001415220 |
| CM435/2 | 112W x 105H x 60D | 320g | 9321001435181 |

| Single product (Pack of 20) | | | |
|------------------------------|--------------------|--------|---------------|
| Cat No | Dimensions (mm) | Weight | Barcode |
| 435BU20 | 380W x 310H x 330D | 8.9kg | 9321001488637 |

| Inner box (QTY 4) | | | |
|-------------------|--------------------|--------|---------------|
| Cat No | Dimensions (mm) | Weight | Barcode |
| CM435/2 | 163W x 163H x 131D | 1.4kg | 9321001435198 |

| Outer box (QTY 60) | | | |
|--------------------|--------------------|--------|---------------|
| Cat No | Dimensions (mm) | Weight | Barcode |
| 435 | 380W x 310H x 330D | 16kg | 9321001392248 |
| 435/2 | 380W x 310H x 330D | 17.8kg | 9321001415237 |

| Outer box (QTY 48) | | | |
|--------------------|--------------------|--------|---------------|
| Cat No | Dimensions (mm) | Weight | Barcode |
| CM435/2 | 500W x 333H x 262D | 17.8kg | 9321001435204 |



Legrand - Australia
1300 369 777
www.legrand.com.au
ABN 31 000 102 661

Legrand - New Zealand
0800 476 009
www.legrand.co.nz

Refer to your group buying office, Legrand Sales Representative or Legrand Sales Office for pricing.

Please note: specifications are subject to change without prior notice.