

Buffalo products are tough, and perform well in the dust and the wet. They provide resistance to weather effects and are impervious to the ingress of dust and the damaging effects of water. Buffalo also offers products with a dependable protection rating of IP66 to cover many arduous applications.



**PLUGS**  
ANGLED AND STRAIGHT



**EXTENSION SOCKETS**



**AUTO SWITCHES**



**DIN ENCLOSURES**



**SWITCHES**



**SOCKETS**



**COMBO SWITCHES**



**APPLIANCE INLETS**

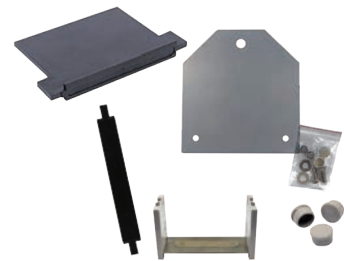
Can also be purchased less enclosure. Just add "LE" to end of catalogue number when ordering.



**ENCLOSURES (BACK BOXES) & LIDS**



**JUNCTION BOXES**  
SUPPLIED WITH CONNECTORS



**ACCESSORIES**



**Technical Information Common to Buffalo Industrial Range**

PAGE 1 of 3



**Protection Rating Reference Chart (IP Code AS 60529)**

IP stands for Ingress Protection and is formed with two numbers: IPXX.

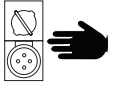
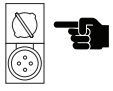
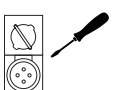
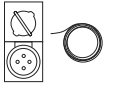
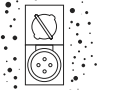
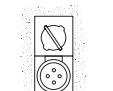
The two numbers refer to two levels of protection.

**IPXX**









The first digit shows the level of protection against **solid** objects.

The second digit shows the level of protection against **liquids**

**Solids**

1		Protected against a solid object greater than 50mm such as a hand
2		Protected against a solid object greater than 12.5mm such as a finger
3		Protected against a solid object greater than 2.5mm such as a screwdriver
4		Protected against a solid object greater than 1mm such as a wire
5		Dust Protected. Limited ingress of dust permitted. Will not interfere with operation of the equipment. Two to eight hours
6		Dust tight. No ingress of dust. Two to eight hours

**Liquids**

1		Protected against vertically falling drops of water. Limited ingress permitted
2		Protected against vertically falling drops of water with enclosure tilted up to 15 degrees from the vertical. Limited ingress permitted
3		Protected against sprays of water up to 60 degrees from the vertical. Limited ingress permitted for three minutes
4		Protected against water splashed from all directions. Limited ingress permitted
5		Protected against jets of water. Limited ingress permitted
6		Water from heavy seas or water projects in powerful jets shall not enter the enclosure in harmful quantities
7		Protection against the effects of immersion in water between 15cm and 1m for 30 minutes
8		Protection against the effects of immersion in water under pressure for long periods

**Technical Information Common to Buffalo Industrial Range**















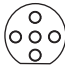



PAGE 2 of 3

Unique keyways, Pin sizes and Plug body sizes in alignment with AS/NZS3123 are provided to differentiate between current ratings in Size 1 & Size 2 products to prevent larger capacity loads being plugged into smaller capacity plugs.



















Product designs are compliant in accordance with AS/NZS3112 and AS/NZS3123 (Plugs, Socket-outlets and Couplers for general industrial applications).

**Table 1** (pin configurations referenced in product charts)

**Plugs**

						
<b>A</b> 10A 250V~ 3 Pin	<b>B</b> 15A 250V~ 3 Pin	<b>C</b> 10A 250V~ 3 Pin	<b>D</b> 15A 32V~ Polarised 2 Pin	<b>E</b> 20A 250V~ 3 Pin	<b>F</b> 10A 250V~ 3 Pin	<b>G</b> 20A 250V~ 3 Pin
						
<b>H</b> 32A 250V~ 3 Pin	<b>I</b> 10A 500V~ 4 Pin	<b>J</b> 20A 500V~ 4 Pin	<b>K</b> 32A 500V~ 4 Pin	<b>L</b> 40A 500V~ 4 Pin	<b>M</b> 50A 500V~ 4 Pin	<b>N</b> 10A 500V~ 5 Pin
						
<b>O</b> 20A 500V~ 5 Pin	<b>P</b> 32A 500V~ 5 Pin	<b>Q</b> 40A 500V~ 5 Pin	<b>R</b> 50A 500V~ 5 Pin			

**Sockets**

						
<b>A</b> 10A 250V~ 3 Pin	<b>B</b> 15A 250V~ 3 Pin	<b>C</b> 10A 250V~ 3 Pin	<b>D</b> 15A 32V~ Polarised 2 Pin	<b>E</b> 20A 250V~ 3 Pin	<b>F</b> 10A 250V~ 3 Pin	<b>G</b> 20A 250V~ 3 Pin
						
<b>H</b> 32A 250V~ 3 Pin	<b>I</b> 10A 500V~ 4 Pin	<b>J</b> 20A 500V~ 4 Pin	<b>K</b> 32A 500V~ 4 Pin	<b>L</b> 40A 500V~ 4 Pin	<b>M</b> 50A 500V~ 4 Pin	<b>N</b> 10A 500V~ 5 Pin
						
<b>O</b> 20A 500V~ 5 Pin	<b>P</b> 32A 500V~ 5 Pin	<b>Q</b> 40A 500V~ 5 Pin	<b>R</b> 50A 500V~ 5 Pin			



## Technical Information Common to Buffalo Industrial Range

PAGE 3 of 3

## Buffalo Chemical Resistance Chart

At Trader we have reconfigured the Buffalo range to align with common industry practices for the application of the grey polycarbonate front covers for switches, sockets and appliance inlets with PVC back boxes to mount various applications.

Additionally plugs and extension sockets are supplied in combined transparent and orange polycarbonate materials, with transparent sections specifically provided to enable simplified viewing of internal cable connections or pin arrangements. Cord entries on both plugs & extension sockets are made of durable nylon.

All fixing screws, springs and pins exposed to the elements being produced from 304 grade stainless steel help to provide long term weatherability and performance in many environments.

The Buffalo range is on par with many industrial products in the market and plugs and sockets are fully interchangeable and will perform in a broad range of environment. Please review the chemical performance chart for more detail and contact us with any queries.

Excellent	Recommended no adverse effects after extended exposure
Good	Acceptable with minimal mechanical property loss from extended exposure
Fair	Loss of mechanical property from extended exposure
Not Suitable	Not recommended for use due to poor performance and significant mechanical property loss

Product Type		Enclosures (Back boxes) (PVC)	Housings for Switches, Sockets, Plugs and Appliance Inlets, as well as exposed aspects such as flaps, knobs, lock rings and latches (Polycarbonate)
Product Colour		Grey	Grey, Transparent and Orange (plugs)
<b>Acids</b>			
Weak Solutions	Hydrochloric 10%	Excellent	Excellent
	Nitric 10%	Excellent	Excellent
	Sulphuric 100%	Excellent	Not Suitable
<b>Alkalis</b>			
Weak Solutions	Sodium Hydroxide 10% (Caustic Soda)	Excellent	Not Suitable
	Potassium Hydroxide 100%	Excellent	Good
<b>Automotive</b>			
	Petroleum	Excellent	Not Suitable
	Lubrication Oils	Excellent	Not Suitable
	Hydraulic Oil	Excellent	Not Suitable
<b>Solvents</b>			
Aliphatic Hydrocarbons (Alkanes)	Methane	Excellent	Excellent
	Propane	Excellent	Excellent
Alcohols	Ethylene Glycol	Excellent	Excellent
	Glycerol (Glycerin)	Excellent	Fair
	Methyl Alcohol (Methanol)	Excellent	Not Suitable
	Ethyl Alcohol (Ethanol)	Excellent	Excellent
Amines	Aniline	Not Suitable	Not Suitable
Aromatic Hydrocarbons	Methyl Benzene	Not Suitable	Not Suitable
	Xylene	Not Suitable	Not Suitable
Ethers	Dimethyl Ethyl	Excellent	Excellent
Ketones	Acetone	Excellent	Not Suitable
	Acetophenone	Not Suitable	Not Suitable
	Ethyl Methyl Ketone	Not Suitable	Not Suitable
<b>Miscellaneous</b>			
	Detergent	Excellent	Excellent
Inorganic Salts	Magnesium Sulphate	Excellent	Excellent
<b>Oxidising Agents</b>			
Weak Solution	Sodium Hypochlorite 5%	Excellent	Excellent
Strong Solution	Hydrogen Peroxide 30%	Excellent	Excellent
<b>Water</b>			
	Ambient	Excellent	Excellent
	Heated >60°C	Fair	Excellent
	Steam	Not Suitable	Not Suitable



- BUC310**
- BUC310L**
- BUC315**
- BUC320F**
- BUC320**
- BUC332**
- BUC410**
- BUC420**
- BUC432**
- BUC440**
- BUC450**
- BUC510**
- BUC520**
- BUC532**
- BUC540**
- BUC550**
  
- BUC310LE**
- BUC310LLE**
- BUC315LE**
- BUC320FLE**
- BUC320LE**
- BUC332LE**
- BUC410LE**
- BUC420LE**
- BUC432LE**
- BUC440LE**
- BUC450LE**
- BUC510LE**
- BUC520LE**
- BUC532LE**
- BUC540LE**
- BUC550LE**

PAGE 1 of 2



## IP66 Combination Switched Sockets

Buffalo offers an extensive range of IP66 rated Combination Switched Sockets that are available in three-pin 10A to 32A, four-pin 10A to 50A and five-pin 10A to 50A designs.

Phase links are factory fitted between switches and sockets.

Small Single phase Flat pin - 10A to 20A

Size 1 Single & Three Phase - 10A- 20A

Size 2 Single & Three Phase - 32A - 50A

Heavy Duty terminals are standard on all products with Double Pole switching option as standard on 3 pin products.

The combination switch handle has two padlocking facilities (Oval Shape 11 x 9mm) so equipment can be safely isolated.

Switch is provided with LED fitment option (not supplied).

Combination sockets feature a clear dustproof & hoseproof flap allowing simple viewing of sockets. The flap is also provided with a reliable spring-tensioned latch to keep dust & liquids out.

Part bag contains twin screwed connector.



General Information												Plug Data	
Pin & Volt	Cat No.	Current Rating (A)	Pin Config	Pin Config Code (Table 1)	Enclosure	AC21 Rating (A)	AC23 Rating (A)	M Rating	Minimum Conductor Size (mm <sup>2</sup> )	Maximum Conductor Size (mm <sup>2</sup> )	Dimensions H* x W x D (mm)	Matching Plug Straight	Matching Plug Angled
3 Pin 250V~	BUC310	10	3 Flat	A	BUBB2GS	10	10	200	1.5	6	198x101x84	BUP310	-
	BUC310L	10	2 Flat 1 Round	C	BUBB2GS	10	10	200	1.5	6	198x101x84	BUP310L	-
	BUC315	15	3 Flat	B	BUBB2GS	15	15	200	1.5	6	198x101x84	BUP315	-
	BUC320F	20	3 Flat	E	BUBB2GS	20	20	200	2.5	16	198x101x84	BUP320F	-
	BUC320	20	3 Round	G	BUBB2G	20	20	200	2.5	16	198x101x108	BUP320	BUPA320
	BUC332	32	3 Round	H	BUBB2G	32	20	200	6	16	198x101x108	BUP332	BUPA332
4 Pin 500V~	BUC410	10	4 Round	I	BUBB2G	10	10	200	6	16	198x101x108	BUP410	BUPA410
	BUC420	20	4 Round	J	BUBB2G	20	20	200	6	16	198x101x108	BUP420	BUPA420
	BUC432	32	4 Round	K	BUBB2G	32	20	200	6	16	198x101x108	BUP432	BUPA432
	BUC440	40	4 Round	L	BUBB2G	40	25	200	6	16	198x101x108	BUP440	BUPA440
	BUC450	50	4 Round	M	BUBB2G	50	25	200	6	16	198x101x108	BUP450	BUPA450
5 Pin 500V~	BUC510	10	5 Round	N	BUBB2G	10	10	200	2.5	6	198x101x108	BUP510	BUPA510
	BUC520	20	5 Round	O	BUBB2G	20	20	200	2.5	6	198x101x108	BUP520	BUPA520
	BUC532	32	5 Round	P	BUBB2G	32	20	200	6	16	198x101x108	BUP532	BUPA532
	BUC540	40	5 Round	Q	BUBB2G	40	25	200	6	16	198x101x108	BUP540	BUPA540
	BUC550	50	5 Round	R	BUBB2G	50	25	200	6	16	198x101x108	BUP550	BUPA550

When ordering LESS ENCLOSURE add "LE" at end of catalogue number, ie "BUC310LE"

\*Note: Height of product excludes conduit plugs

### Certification Number:

BUC410, BUC420, BUC432, BUC440, BUC450, BUC510, BUC520,  
BUC532, BUC540, BUC550 : AZ69025570  
BUC310, BUC315, BUC320F: GMA-513502-EA  
BUC320, BUC332: AZ69025651

### GSM Electrical (Australia) Pty Ltd

Level 2, 142-144 Fullarton Road, Rose Park SA 5067  
P: 1300 301 838 E: service@gsm.com.au  
[www.gsm.com.au](http://www.gsm.com.au)



- BUC310**
- BUC310L**
- BUC315**
- BUC320F**
- BUC320**
- BUC332**
- BUC410**
- BUC420**
- BUC432**
- BUC440**
- BUC450**
- BUC510**
- BUC520**
- BUC532**
- BUC540**
- BUC550**

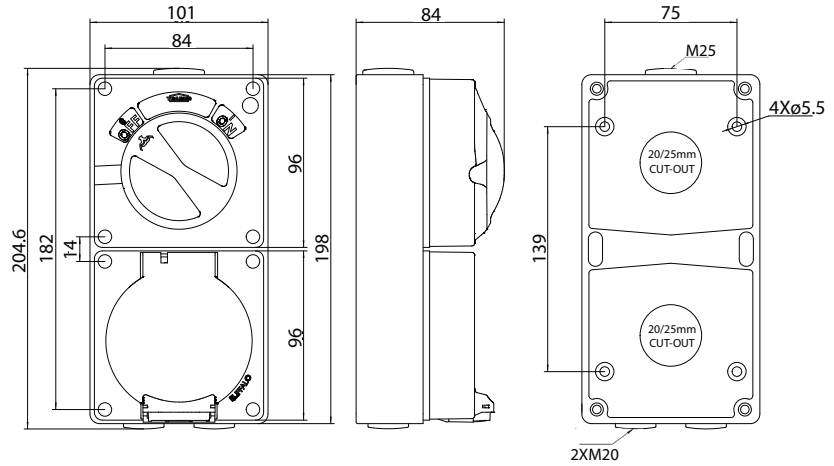
- BUC310LE**
- BUC310LLE**
- BUC315LE**
- BUC320FLE**
- BUC320LE**
- BUC332LE**
- BUC410LE**
- BUC420LE**
- BUC432LE**
- BUC440LE**
- BUC450LE**
- BUC510LE**
- BUC520LE**
- BUC532LE**
- BUC540LE**
- BUC550LE**

PAGE 2 of 2

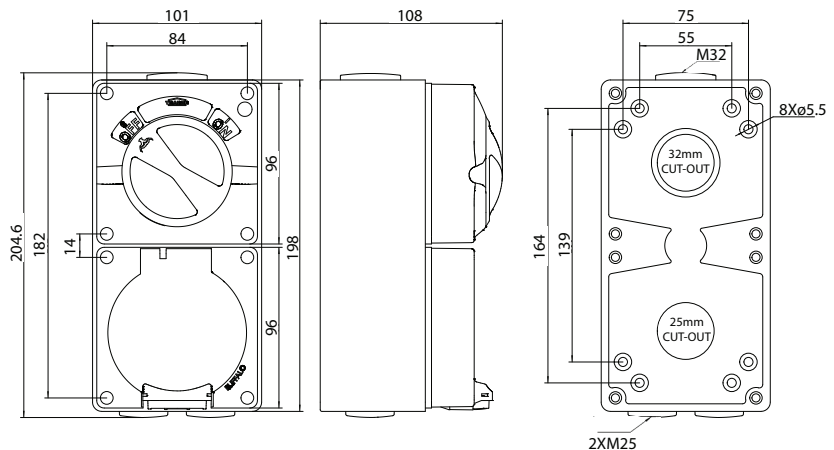


## Combination Switched Sockets Dimensional Drawings

Flat Pin Models (including BUC310L)



Round Pin Models



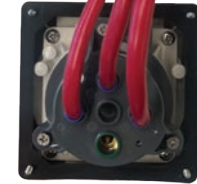
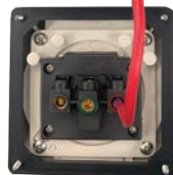
Small Single Phase  
Flat pin  
10A to 20A



Size 1  
Single/Three Phase  
10A - 20A



Size 2  
Single/Three Phase  
32A - 50A



**GSM Electrical (Australia) Pty Ltd**

Level 2, 142-144 Fullarton Road, Rose Park SA 5067  
P: 1300 301 838 F: 1300 301 778 E: service@gsmc.com.au  
[www.gsmc.com.au](http://www.gsmc.com.au)



Data Specification Sheet  
November 2022

- BUSW110\***
- BUSW120\***
- BUSW132\***
- BUSW210**
- BUSW220**
- BUSW232**
- BUSW310**
- BUSW320**
- BUSW332**
- BUSW350^**
- BUSW363**
- BUSW420**
- BUSW432**
- BUSW463**
  
- BUSW110LE\***
- BUSW120LE\***
- BUSW132LE\***
- BUSW210LE**
- BUSW220LE**
- BUSW232LE**
- BUSW310LE**
- BUSW320LE**
- BUSW332LE**
- BUSW350LE^**
- BUSW363LE**
- BUSW420LE**
- BUSW432LE**
- BUSW463LE**

\* Products being phased out and being superseded by 2 pole versions.  
 ^BUSW350 Series to be phased out, alternative is BUSW363 Series.

PAGE 1 of 2



## IP66 Heavy Duty Switches

The same heavy duty switches used in our Combinations are available as individual switches for isolation and control applications.



- Heavy Duty terminals, with Double Pole switching option as standard on 3 pin products.
- Switch supplied with a large, easy to use knob, suitable for use with heavy industrial gloves. Has a positive, rotary action.
- Switch Knob features two Oval Shape (11 x 9mm) lock off facilities.
- Conduit plugs provided with rubber gaskets to assist IP rating and to aid secure fitment.
- Raised ON/OFF marking to allow visibility in dusty environments.
- Laser etched product marking (no adhesive labels that fall off).
- LED Drill out facility for LED indicators (not supplied).
- Approved to AS/NZS3133 (10A - 20A), AS 60947-3 (Over 32A).
- BUSW463 is fitted with a deep enclosure.
- Range includes Single\*, Double, and Three Pole, in amperages from 10A up to 63A. See the table for product detail.

Pole & Volt	Cat No.	Current Rating (Nominal) (A)	AC21 Rating (A)	AC23 Rating (A)	M Rating	Minimum Conductor Size (mm <sup>2</sup> )	Maximum Conductor Size (mm <sup>2</sup> )
1 Pole 250V~	BUSW110*	10	10	10	200	1.5	6
	BUSW120*	20	20	20	200	2.5	16
	BUSW132*	32	32	20	200	6	16
2 Pole 500V~	BUSW210	10	10	10	200	2.5	16
	BUSW220	20	20	20	200	2.5	16
	BUSW232	32	32	20	200	2.5	16
3 Pole 500V~	BUSW310	10	10	10	200	2.5	16
	BUSW320	20	20	20	200	2.5	16
	BUSW332	32	32	20	200	6	16
	BUSW350^	50	50	25	200	10	25
	BUSW363	63	63	25	200	10	25
4 Pole 500V~	BUSW420	20	20	20	200	2.5	16
	BUSW432	32	32	20	200	6	16
	BUSW463	63	63	25	200	10	25

When ordering LESS ENCLOSURE add "LE" at end of catalogue number, ie "BUSW210LE"

### Certification Number:

BUSW110, BUSW210, BUSW120, BUSW220,  
 BUSW310, BUSW320: SAA-212017-EA  
 BUSW232, BUSW332, BUSW340, BUSW350, BUSW363: SAA212342

### GSM Electrical (Australia) Pty Ltd

Level 2, 142-144 Fullarton Road, Rose Park SA 5067  
 P: 1300 301 838 F: 1300 301 778 E: service@gsm.com.au  
[www.gsm.com.au](http://www.gsm.com.au)



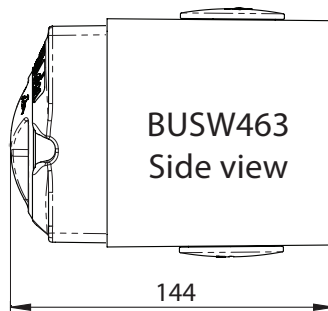
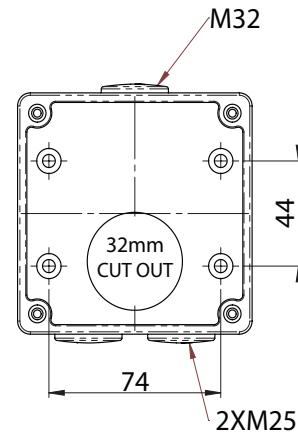
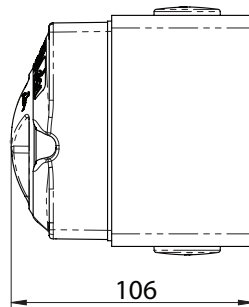
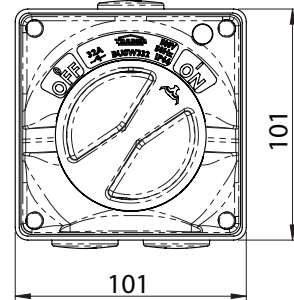
- BUSW110\*
- BUSW120\*
- BUSW132\*
- BUSW210
- BUSW220
- BUSW232
- BUSW310
- BUSW320
- BUSW332
- BUSW350^
- BUSW363
- BUSW420
- BUSW432
- BUSW463
  
- BUSW110LE\*
- BUSW120LE\*
- BUSW132LE\*
- BUSW210LE
- BUSW220LE
- BUSW232LE
- BUSW310LE
- BUSW320LE
- BUSW332LE
- BUSW350LE^
- BUSW363LE
- BUSW420LE
- BUSW432LE
- BUSW463LE

\* Products being phased out and being superseded by 2 pole versions.  
^BUSW350 Series to be phased out, alternative is BUSW363 Series.

PAGE 2 of 2



## Heavy Duty Switches Dimensional Drawings



## Heavy Duty Switch Terminals



2 Pole



3 Pole



4 Pole

GSM Electrical (Australia) Pty Ltd

Level 2, 142-144 Fullarton Road, Rose Park SA 5067  
P: 1300 301 838 F: 1300 301 778 E: service@gsme.com.au  
www.gsme.com.au



Data Specification Sheet  
November 2022

Product Code Cross Reference

NEW CODE	OLD CODE
<b>BUSO215P32</b>	
<b>BUSO310</b>	<b>BUPP310</b>
<b>BUSO310L</b>	
<b>BUSO315</b>	<b>BUPP315</b>
<b>BUSO320F</b>	
<b>BUSO320</b>	<b>BUPP320</b>
<b>BUSO332</b>	<b>BUPP332</b>
<b>BUSO410</b>	<b>BUPP410</b>
<b>BUSO420</b>	<b>BUPP420</b>
<b>BUSO432</b>	<b>BUPP432</b>
<b>BUSO440</b>	
<b>BUSO450</b>	
<b>BUSO510</b>	<b>BUPP510</b>
<b>BUSO520</b>	<b>BUPP520</b>
<b>BUSO532</b>	<b>BUPP532</b>
<b>BUSO540</b>	
<b>BUSO550</b>	
<b>BUSO215P32LE</b>	
<b>BUSO310LE</b>	<b>BUPP310LE</b>
<b>BUSO310LLE</b>	
<b>BUSO310RPLE</b>	
<b>BUSO315LE</b>	<b>BUPP315LE</b>
<b>BUSO320FLE</b>	
<b>BUSO320LE</b>	<b>BUPP320LE</b>
<b>BUSO332LE</b>	<b>BUPP332LE</b>
<b>BUSO410LE</b>	<b>BUPP410LE</b>
<b>BUSO420LE</b>	<b>BUPP420LE</b>
<b>BUSO432LE</b>	
<b>BUSO440LE</b>	
<b>BUSO450LE</b>	
<b>BUSO510LE</b>	<b>BUPP510LE</b>
<b>BUSO520LE</b>	<b>BUPP520LE</b>
<b>BUSO532LE</b>	<b>BUPP532LE</b>
<b>BUSO540LE</b>	
<b>BUSO550LE</b>	

## IP66 Heavy Duty Sockets

The Socket components used in Buffalo Combinations are also available as individual Socket Outlets for use in relevant applications.

They are robust and easy to use, and have a one piece spring-loaded transparent flap with self-latching design to seal out dust and moisture when not in use, ensuring an IP66 rating.

Flap's spring-loaded pin is centrally assembled eliminating the need to insert external cover caps. Flap opens up to 180° enabling easy insertion & removal of plugs.

Threaded socket surround will accept Plug lock rings to ensure IP66 rating & secure fitment.

The range includes three, four, and five pin products in amperages from 10A up to 50A. See the table for product detail.

Small Single phase Flat pin - 10A to 20A  
Size 1 Single & Three Phase - 10A- 20A  
Size 2 Single & Three Phase - 32A - 50A



Pin & Volt	Cat No.	Current Rating (A)	Pin Config	Pin Config Code (Table 1)	Enclosure	Minimum Conductor Size (mm <sup>2</sup> )	Maximum Conductor Size (mm <sup>2</sup> )	Buffalo Matching Plug
2 Pin 32V~	BUSO215P32	15	2 Pin Polarised	D	BUBB1G	2.5	6	-
3 Pin 250V~	BUSO310	10	3 Flat	A	BUBB1G	1.5	6	BUP310
	BUSO310L	10	2 Flat 1 Round	C	BUBB1G	1.5	6	BUP310L
	BUSO315	15	3 Flat	B	BUBB1G	2.5	6	BUP315
	BUSO320F	20	3 Flat	E	BUBB1G	2.5	6	BUP320F
	BUSO320	20	3 Round	G	BUBB1G	2.5	6	BUP320/BUPA320
	BUSO332	32	3 Round	H	BUBB1G	6	16	BUP332/BUPA332
4 Pin 500V~	BUSO410	10	4 Round	I	BUBB1G	2.5	6	BUP410/BUPA410
	BUSO420	20	4 Round	J	BUBB1G	2.5	6	BUP420/BUPA420
	BUSO432	32	4 Round	K	BUBB1G	6	16	BUP432/BUPA432
	BUSO440	40	4 Round	L	BUBB1G	6	16	BUP440/BUPA440
	BUSO450	50	4 Round	M	BUBB1G	6	16	BUP450/BUPA450
5 Pin 500V~	BUSO510	10	5 Round	N	BUBB1G	2.5	6	BUP510/BUPA510
	BUSO520	20	5 Round	O	BUBB1G	2.5	6	BUP520/BUPA520
	BUSO532	32	5 Round	P	BUBB1G	6	16	BUP532/BUPA532
	BUSO540	40	5 Round	Q	BUBB1G	6	16	BUP540/BUPA540
	BUSO550	50	5 Round	R	BUBB1G	6	16	BUP550/BUPA550

Tables include NEW product codes. Please refer to Old & New Cross Reference Chart for OLD product codes.

When ordering LESS ENCLOSURE add "LE" at end of catalogue number, ie "BUSO310LE"

**Certification Number:**

BUSO410, BUSO420, BUSO432, BUSO440, BUSO450, BUSO510, BUSO520,  
BUSO532, BUSO540, BUSO550 : AZ69025555  
BUSO310, BUSO315, BUSO320F: GMA-513501-EA  
BUSO320, BUSO332: AZ69025572

**GSM Electrical (Australia) Pty Ltd**

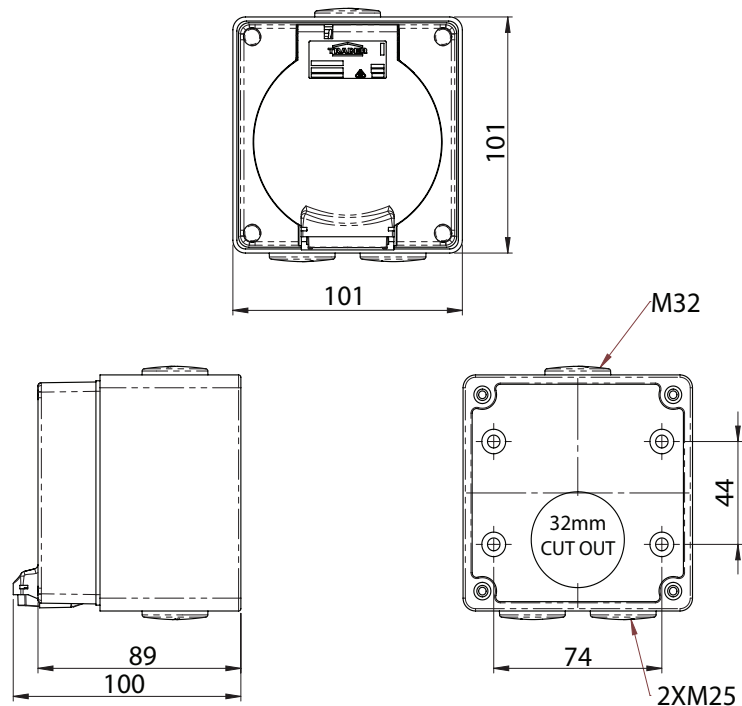
Level 2, 142-144 Fullarton Road, Rose Park SA 5067  
P: 1300 301 838 F: 1300 301 778 E: service@gsme.com.au  
[www.gsme.com.au](http://www.gsme.com.au)



Product Code Cross Reference

NEW CODE	OLD CODE
BUSO215P32	
BUSO310	BUPP310
BUSO310L	
BUSO315	BUPP315
BUSO320F	
BUSO320	BUPP320
BUSO332	BUPP332
BUSO410	BUPP410
BUSO420	BUPP420
BUSO432	BUPP432
BUSO440	
BUSO450	
BUSO510	BUPP510
BUSO520	BUPP520
BUSO532	BUPP532
BUSO540	
BUSO550	
BUSO215P32LE	
BUSO310LE	BUPP310LE
BUSO310LLE	
BUSO310RPLE	
BUSO315LE	BUPP315LE
BUSO320FLE	
BUSO320LE	BUPP320LE
BUSO332LE	BUPP332LE
BUSO410LE	BUPP410LE
BUSO420LE	BUPP420LE
BUSO432LE	
BUSO440LE	
BUSO450LE	
BUSO510LE	BUPP510LE
BUSO520LE	BUPP520LE
BUSO532LE	BUPP532LE
BUSO540LE	
BUSO550LE	

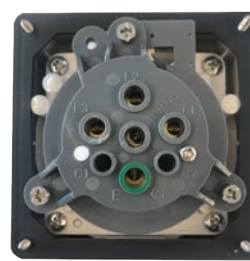
## Heavy Duty Sockets Dimensional Drawings



## Heavy Duty Socket Terminals



Small Single Phase  
Flat pin  
10A to 20A



Size 1  
Single/Three Phase  
10A - 20A



Size 2  
Single/Three Phase  
32A - 50A

PAGE 2 of 2



**BUSOAU310**  
**BUSOAU315**

**BUSOAU310LE**  
**BUSOAU315LE**

## IP66 Sockets Auto Switched

Buffalo IP66 Auto-Switched Sockets as the name suggests can operate without the need for separate isolating switches. Available in 10A or 15A flat pin format compliant to AS/NZS3112.

They are robust and easy to use, and have a one piece spring-loaded transparent flap with self-latching design to seal out dust and moisture when not in use, ensuring an IP66 rating.

Flap's spring-loaded pin is centrally assembled eliminating the need to insert external cover caps. Flap opens up to 180° enabling easy insertion & removal of plugs.

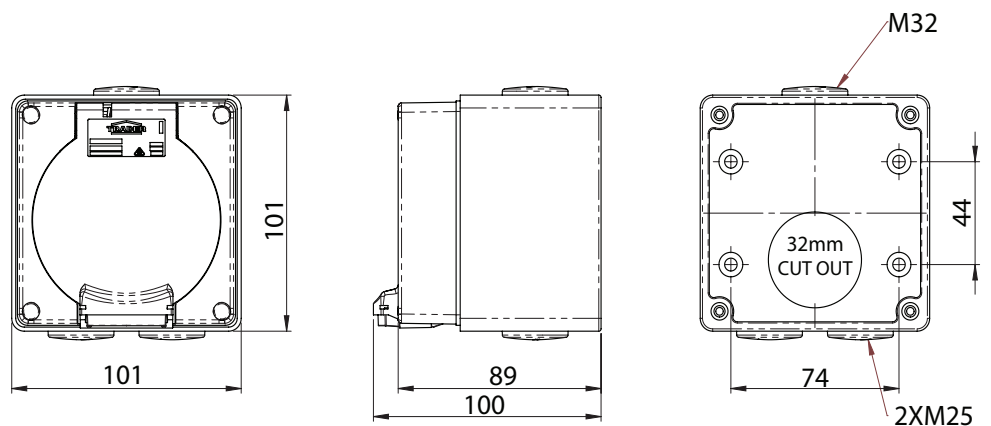
Threaded socket surround will accept Plug lock rings to ensure IP66 rating & secure fitment.

Shutter operates from either earth or neutral.



Pin & Volt	Cat No.	Current Rating (A)	Pin Config	Pin Config Code (Table 1)	Enclosure	Minimum Conductor Size (mm <sup>2</sup> )	Maximum Conductor Size (mm <sup>2</sup> )	Buffalo Matching Plug
3 Pin 250V~	BUSOAU310	10	3 Flat	A	BUBB1G	1.5	6	BUP310
	BUSOAU315	15	3 Flat	B	BUBB1G	1.5	6	BUP315

When ordering LESS ENCLOSURE add "LE" at end of catalogue number, ie "BUSOAU310LE"



**Certification Number:**  
SAA-212016-EA

**GSM Electrical (Australia) Pty Ltd**  
Level 2, 142-144 Fullarton Road, Rose Park SA 5067  
P: 1300 301 838 F: 1300 301 778 E: service@gsme.com.au  
[www.gsme.com.au](http://www.gsme.com.au)



Data Specification Sheet  
October 2022

Product Code Cross Reference

OLD CODE	NEW CODE
	<b>BUEXO310</b>
	<b>BUEXO315</b>
	<b>BUEXO320F</b>
	<b>BUEXO320</b>
	<b>BUEXO332</b>
<b>BUEXPP410OR</b>	<b>BUEXO410</b>
<b>BUEXPP420OR</b>	<b>BUEXO420</b>
<b>BUEXPP432OR</b>	<b>BUEXO432</b>
	<b>BUEXO440</b>
	<b>BUEXO450</b>
<b>BUEXPP510OR</b>	<b>BUEXO510</b>
<b>BUEXPP520OR</b>	<b>BUEXO520</b>
<b>BUEXPP532OR</b>	<b>BUEXO532</b>
	<b>BUEXO540</b>
	<b>BUEXO550</b>

PAGE 1 of 2

## IP66 Extension Sockets

- Small Single Phase 10A to 20A (250V~).
- Size 1 Single & Three Phase 10A to 20A (250V~ to 500V~).
- Size 2 Single & Three Phase 32A to 50A (250V~ to 500V~).
- 3 Flat Pin, 3 Round Pin, 4 Round Pin, 5 Round Pin.
- 10A, 15A, 20A, 32A, 40A & 50A current ratings.
- Straight body format providing a more traditional design.
- Ribbed Lock ring on Small Single Phase versions for gripping with gloved hands.
- Rear cord entry and cable gland ensuring IP66 rating.
- Internal cable clamp to support electrical connections.
- Size 1 Single and Three Phase suits Smaller to Medium single or three phase loads.
- Size 2 Single and Three Phase suits Medium to Large single or three phase loads.
- Size 1 and Size 2 products have hinged Spring Loaded cover flaps for added safety and to keep dust & water out.
- Small Extension Sockets 10A and 20A accept cables from  $\varnothing$  6-12mm
- Size 1 Extension Sockets 10A and 20A accept cables from  $\varnothing$  12-18mm
- Size 2 Extension Sockets 32A, 40A and 50A accept cables from  $\varnothing$  11-25mm



Pin & Volt	*Cat No. Extension Sockets	Current Rating (A)	Pin Config	Pin Config Code (Table 1)	Terminal Size	Maximum Conductor Size (mm <sup>2</sup> )	Minimum Cable Diameter (mm <sup>2</sup> )	Maximum Cable Diameter (mm <sup>2</sup> )	Gland Nut Thread (mm)	Matching Plug Straight / Angled	Matching Appliance Inlet
3 Pin 250V~	BUEXO310	10	3 Flat	A	2.4 x 4.5	6	6	12	M20 x 1.5	BUP310	BUAI310
	BUEXO315	15	3 Flat	B	2.4 x 4.5	6	6	12	M20 x 1.5	BUP315	BUAI315
	BUEXO320F	20	3 Flat	E	2.4 x 4.5	6	6	12	M20 x 1.5	BUP320F	
	BUEXO320	20	3 Round	G	$\varnothing$ 4.6	6	12	18	M25 x 1.5	BUP320/ BUPA320	BUAI320
	BUEXO332	32	3 Round	H	$\varnothing$ 6	16	11	25	PG29	BUP332/ BUPA332	BUAI332
4 Pin 500V~	BUEXO410	10	4 Round	I	$\varnothing$ 4.6	6	12	18	M25 x 1.5	BUP410/ BUPA410	BUAI410
	BUEXO420	20	4 Round	J	$\varnothing$ 4.6	6	12	18	M25 x 1.5	BUP420/ BUPA420	BUAI420
	BUEXO432	32	4 Round	K	$\varnothing$ 6	16	11	25	PG29	BUP432/ BUPA432	BUAI432
	BUEXO440	40	4 Round	L	$\varnothing$ 6	16	11	25	M32 x 1.5	BUP440/ BUPA440	BUAI440
	BUEXO450	50	4 Round	M	$\varnothing$ 6	16	11	25	M32 x 1.5	BUP450/ BUPA450	BUAI450
5 Pin 500V~	BUEXO510	10	5 Round	N	$\varnothing$ 4.6	6	12	18	M25 x 1.5	BUP510/ BUPA510	BUAI510
	BUEXO520	20	5 Round	O	$\varnothing$ 4.6	6	12	18	M25 x 1.5	BUP520/ BUPA520	BUAI520
	BUEXO532	32	5 Round	P	$\varnothing$ 6	16	11	25	PG29	BUP532/ BUPA532	BUAI532
	BUEXO540	40	5 Round	Q	$\varnothing$ 6	16	11	25	M32 x 1.5	BUP540/ BUPA540	BUAI540
	BUEXO550	50	5 Round	R	$\varnothing$ 6	16	11	25	M32 x 1.5	BUP550/ BUPA550	BUAI550

Tables include NEW product codes. Please refer to Old & New Cross Reference Chart for OLD product codes.

All products accept Appliance Inlet (BUAI) or Plug (BUP/BUPA), locking rings which prevents accidental removal and assists with maintaining the highest IP Rating and a spring loaded flap that seals out dust and moisture when not in use.

Compatible with common pendant outlet kits.

**Certification Number:**

BUEXO332, BUEXO432, BUEXO440, BUEXO450, BUEXO532, BUEXO540, BUEXO550: SAA211330  
 BUEXO310, BUEXO315, BUEXO320F: SAA-211255-EA

**GSM Electrical (Australia) Pty Ltd**

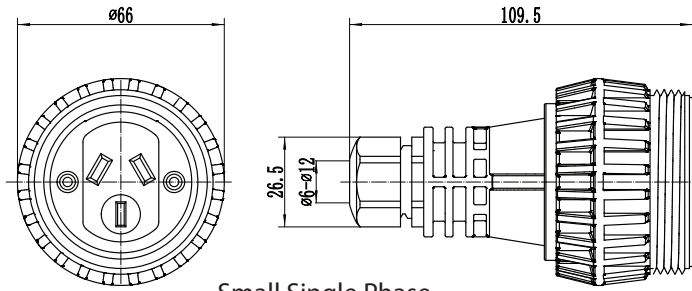
Level 2, 142-144 Fullarton Road, Rose Park SA 5067  
 P: 1300 301 838 F: 1300 301 778 E: service@gsme.com.au  
[www.gsme.com.au](http://www.gsme.com.au)



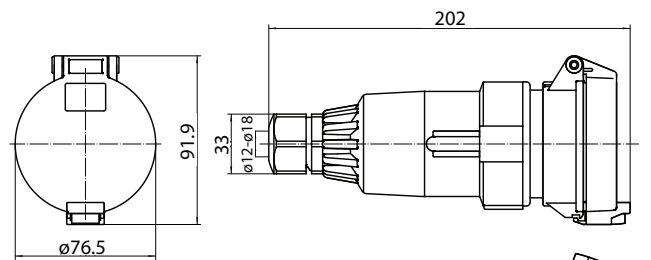
Product Code Cross Reference

OLD CODE	NEW CODE
	<b>BUEXSO310</b>
	<b>BUEXSO315</b>
	<b>BUEXSO320F</b>
	<b>BUEXSO320</b>
	<b>BUEXSO332</b>
<b>BUEXPP410OR</b>	<b>BUEXSO410</b>
<b>BUEXPP420OR</b>	<b>BUEXSO420</b>
<b>BUEXPP432OR</b>	<b>BUEXSO432</b>
	<b>BUEXSO440</b>
	<b>BUEXSO450</b>
<b>BUEXPP510OR</b>	<b>BUEXSO510</b>
<b>BUEXPP520OR</b>	<b>BUEXSO520</b>
<b>BUEXPP532OR</b>	<b>BUEXSO532</b>
	<b>BUEXSO540</b>
	<b>BUEXSO550</b>

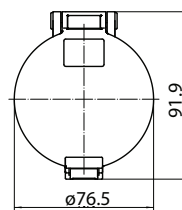
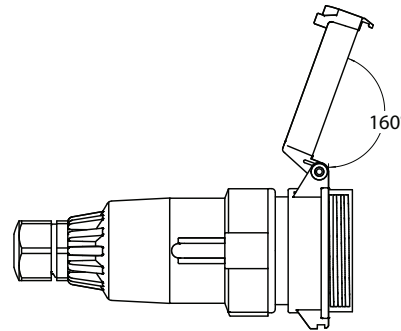
PAGE 2 of 2



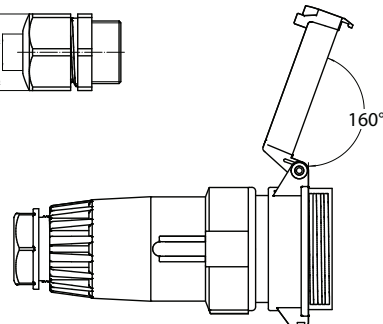
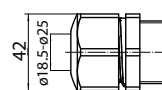
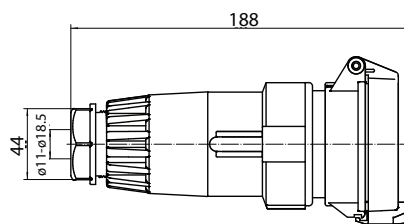
Small Single Phase



Size 1 Single &  
Three Phase



Size 2 Single &  
Three Phase



Product Code Cross Reference

OLD CODE	NEW CODE
<b>Straight Plug</b>	
	<b>BUP310</b>
	<b>BUP310L</b>
	<b>BUP315</b>
	<b>BUP320F</b>
	<b>BUP320</b>
	<b>BUP332</b>
<b>BUP410OR</b>	<b>BUP410</b>
<b>BUP420OR</b>	<b>BUP420</b>
<b>BUP432OR</b>	<b>BUP432</b>
	<b>BUP440</b>
	<b>BUP450</b>
<b>BUP510OR</b>	<b>BUP510</b>
<b>BUP520OR</b>	<b>BUP520</b>
<b>BUP532OR</b>	<b>BUP532</b>
	<b>BUP540</b>
<b>BUP550OR</b>	<b>BUP550</b>
<b>Angled Plug</b>	
	<b>BUPA320</b>
	<b>BUPA332</b>
<b>BUPA410OR</b>	<b>BUPA410</b>
<b>BUPA420OR</b>	<b>BUPA420</b>
<b>BUPA432OR</b>	<b>BUPA432</b>
	<b>BUPA440</b>
	<b>BUPA450</b>
<b>BUPA510OR</b>	<b>BUPA510</b>
<b>BUPA520OR</b>	<b>BUPA520</b>
<b>BUPA532OR</b>	<b>BUPA532</b>
	<b>BUPA540</b>
	<b>BUPA550</b>

## IP66 Straight & Angled Plugs

- Small Single Phase 10A to 20A (250V~)
- Size 1 Single & Three Phase 10A to 20A (250V~ to 500V~)
- Size 2 Single & Three Phase 32A to 50A (250V~ to 500V~)
- 3 Flat Pin, 3 Round Pin, 4 Round Pin, 5 Round Pin.
- 10A, 15A, 20A, 32A, 40A & 50A current ratings.
- Straight body format providing a more traditional design.
- Angled format when space is limited, or to reduce plug & cable protrusion as cable is angled downwards.
- Ribbed Lock ring for secure fitment & gripping with gloved hands.
- Rear cord entry and cable gland ensuring IP66 rating.
- Insulated pins in accordance to AS/NZS3112 (BUP310, BUP310L, BUP315, BUP320F).
- Internal cable clamp to support electrical connections.
- Size 1 Single and Three Phase suits Smaller to Medium Loads.
- Size 2 Single and Three Phase suits Medium to Large loads.
- Small Extension Sockets 10A and 20A accept cables from  $\varnothing$  6 - 12mm
- Size 1 Extension Sockets 10A and 20A accept cables from  $\varnothing$  12 - 18mm
- Size 2 Extension Sockets 32A, 40A and 50A accept cables from  $\varnothing$  11 - 25mm



Pin & Volt	Cat No. Straight Plug	Cat No. Angle Plug	Current Rating (A)	Pin Config	Pin Config Code (Table 1)	Terminal Size (mm dia)	Maximum Conductor Size (mm <sup>2</sup> )	Minimum Cable Diameter (mm <sup>2</sup> )	Maximum Cable Diameter (mm <sup>2</sup> )	Gland Nut Thread (mm)	Matching Socket/Combination
3 Pin 250V~	BUP310	N/A	10	3 Flat	A	3.0	1.5HD	6	12	M20 x 1.5	BUSO310/BUC310
	BUP310L	N/A	10	2 Flat 1 Round	C	3.0	1.5HD	6	12	M20 x 1.5	BUSO310L/BUC310L
	BUP315	N/A	15	3 Flat	B	3.0	1.5HD	6	12	M20 x 1.5	BUSO315/BUC315
	BUP320F	N/A	20	3 Flat	E	3.0	1.5HD	6	12	M20 x 1.5	BUSO320F/BUC320F
	BUP320	BUPA320	20	3 Round	G	4.1	10	12	18	M25 x 1.5	BUSO320/BUC320
	BUP332	BUPA332	32	3 Round	H	4.1	10	11	25	PG29	BUSO332/BUC332
4 Pin 500V~	BUP410	BUPA410	10	4 Round	I	4.1	10	12	18	M25 x 1.5	BUSO410/BUC410
	BUP420	BUPA420	20	4 Round	J	4.1	10	12	18	M25 x 1.5	BUSO420/BUC420
	BUP432	BUPA432	32	4 Round	K	4.1	10	11	25	PG29	BUSO432/BUC432
	BUP440	BUPA440	40	4 Round	L	4.1	10	11	25	M32 x 1.5	BUSO440/BUC440
	BUP450	BUPA450	50	4 Round	M	4.1	10	11	25	M32 x 1.5	BUSO450/BUC450
5 Pin 500V~	BUP510	BUPA510	10	5 Round	N	4.1	10	12	18	M25 x 1.5	BUSO510/BUC510
	BUP520	BUPA520	20	5 Round	O	4.1	10	12	18	M25 x 1.5	BUSO520/BUC520
	BUP532	BUPA532	32	5 Round	P	4.1	10	11	25	PG29	BUSO532/BUC532
	BUP540	BUPA540	40	5 Round	Q	4.1	10	11	25	M32 x 1.5	BUSO540/BUC540
	BUP550	BUPA550	50	5 Round	R	4.1	10	11	25	M32 x 1.5	BUSO550/BUC550

PAGE 1 of 2



Tables include NEW product codes. Please refer to Old & New Cross Reference Chart for OLD product codes.

All products accept BUEXSO Extension Sockets, BUSO Socket Outlets and BUC Combination Switched Sockets.

**Certification Number:**

BUESXO332, BUESXO432, BUESXO440, BUESXO450, BUESXO532, BUESXO540, BUESXO550 SAA211331 BUP310, BUP315, BUP320F: SAA-211156-EA

**GSM Electrical (Australia) Pty Ltd**

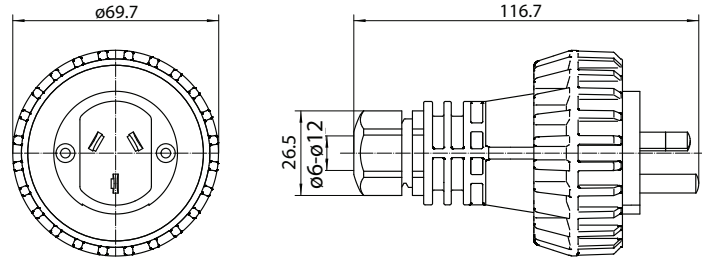
Level 2, 142-144 Fullarton Road, Rose Park SA 5067  
P: 1300 301 838 F: 1300 301 778 E: service@gsme.com.au  
[www.gsme.com.au](http://www.gsme.com.au)



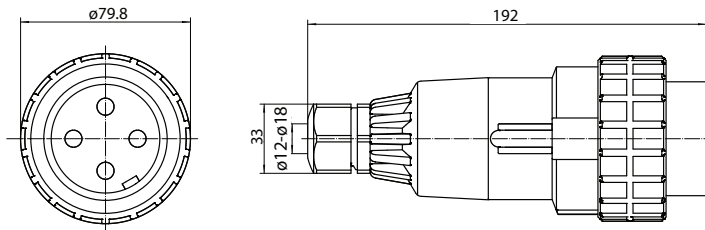
Product Code Cross Reference

OLD CODE	NEW CODE
<b>Straight Plug</b>	
	<b>BUP310</b>
	<b>BUP310L</b>
	<b>BUP315</b>
	<b>BUP320F</b>
	<b>BUP320</b>
	<b>BUP332</b>
<b>BUP410OR</b>	<b>BUP410</b>
<b>BUP420OR</b>	<b>BUP420</b>
<b>BUP432OR</b>	<b>BUP432</b>
	<b>BUP440</b>
	<b>BUP450</b>
<b>BUP510OR</b>	<b>BUP510</b>
<b>BUP520OR</b>	<b>BUP520</b>
<b>BUP532OR</b>	<b>BUP532</b>
	<b>BUP540</b>
<b>BUP550OR</b>	<b>BUP550</b>
<b>Angled Plug</b>	
	<b>BUPA320</b>
	<b>BUPA332</b>
<b>BUPA410OR</b>	<b>BUPA410</b>
<b>BUPA420OR</b>	<b>BUPA420</b>
<b>BUPA432OR</b>	<b>BUPA432</b>
	<b>BUPA440</b>
	<b>BUPA450</b>
<b>BUPA510OR</b>	<b>BUPA510</b>
<b>BUPA520OR</b>	<b>BUPA520</b>
<b>BUPA532OR</b>	<b>BUPA532</b>
	<b>BUPA540</b>
	<b>BUPA550</b>

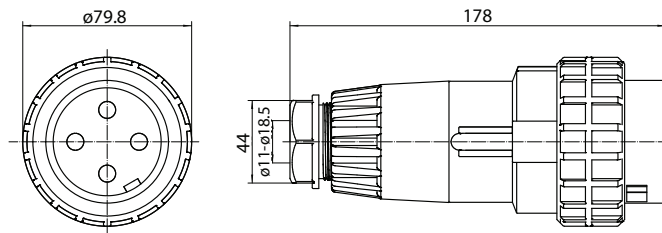
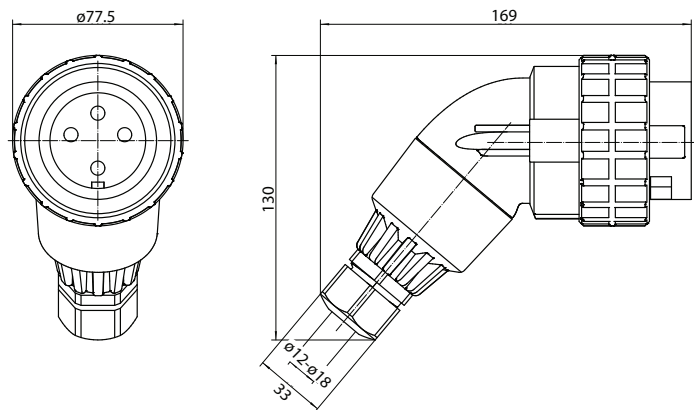
PAGE 2 of 2



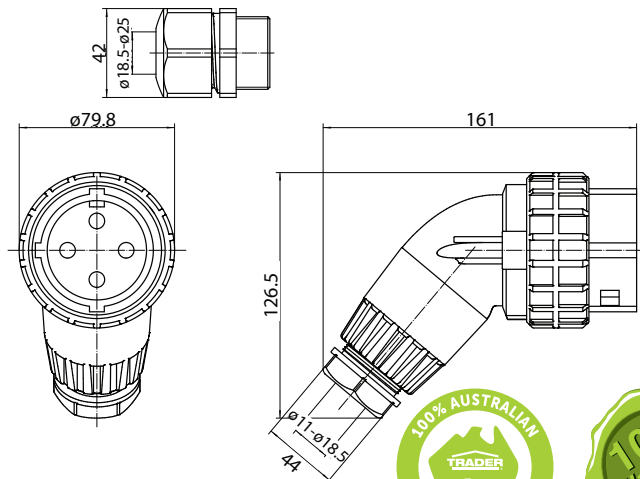
Small Single Phase



Size 1 Single & Three Phase



Size 2 Single & Three Phase



GSM Electrical (Australia) Pty Ltd

Level 2, 142-144 Fullarton Road, Rose Park SA 5067  
P: 1300 301 838 F: 1300 301 778 E: service@gsme.com.au  
www.gsme.com.au



**BU4DIN**  
**BU4DINLED**

**BU4DINLE**  
**BU4DINLEDLE**

**BU4DINKIT**

## IP66 DIN 4 Pole Enclosures

Buffalo DIN Rail Accessory Mounting Enclosures provide a facility to mount up to 4 poles of equipment such as MCB's and RCDs - external to a switchboard in an environment needing a high level of protection.

As with all Buffalo products, they are manufactured from robust, UV and good chemical resistant material to provide long reliable life in the dust and wet.

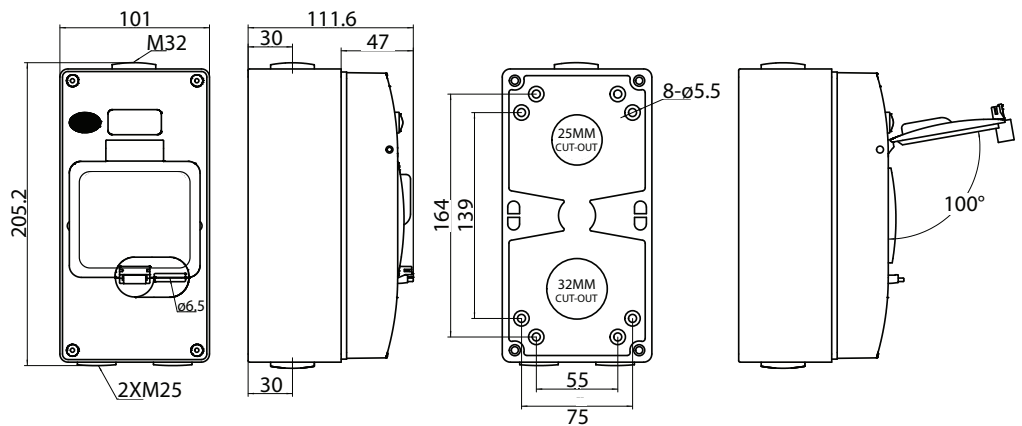
The BU4DINLED features a 250V~ LED inbuilt into the cover, which has long cables with crimped ends to allow it to be wired for power available into the module - or outgoing power available - depending on the application.

Cable length is suitable for wiring below the DIN rail and can reach easily into the lower section of switch gear installed into the enclosure.



BU4DINKIT

Cat No.	Description	Poles	Enclosure Included	Conduit Entries
BU4DIN	Enclosure DIN 4 Pole	4	BUBB2G	2 x 25mm 1 x 32mm
BU4DINLED	Enclosure DIN 4 Pole with LED	4	BUBB2G	2 x 25mm 1 x 32mm
BU4DINLE	Enclosure DIN 4 Pole, Less Back Box	4	N/A	N/A
BU4DINLEDLE	Enclosure DIN 4 Pole with LED, Less Back Box	4	N/A	N/A
BU4DINKIT	DIN Rail Assembly Kit 4 Pole	4	N/A	N/A



OLD CODE	NEW CODE
	<b>BUBB1GS</b>
<b>BUBB1G32</b>	<b>BUBB1G*</b>
	<b>BUBB1GD</b>
	<b>BUBB2GS</b>
<b>BUBB2G32</b>	<b>BUBB2G*</b>
	<b>BUBB2GD</b>
	<b>BUBB3G</b>
	<b>BUBB4G</b>
	<b>BUBB6G</b>
	<b>BUBBRIDGE</b>
	<b>BUBBRIDGED</b>

PAGE 1 of 3

\*Supersede the BUBB1G32 and BUBB2G32. Note hole entries of the new BUBB1G and BUBB2G have been altered to have 1x32mm and 2x25mm.



## Enclosures

- Manufactured in industrial grade resins
- PVC Back Boxes and Conduit Plugs.
- Polycarbonate Lids for High Impact Strength.
- UV Resistance.
- Good level of Chemical Resistance.
- Back Boxes and Junction Boxes supplied with Reducers and Screw Caps.
- Compatible with Buffalo previous & current ranges including:
  - BUL Lids, BUC Combinations, BUSO Sockets, BUSW Switches & BUAI Appliance Inlets.
- Grey colour.
- Back Boxes 1, 2, 3, 4 & 6 Gang  
Shallow, Standard & Deep Boxes in 1 & 2 Gang
- Bridges provided on 2, 3, 4 & 6 Gangs, used for cable management and to aid IP rating.
- Ample Conduit Entries & Cut-Outs.
- Installer tip, cover all mounting screws with supplied mounting screw caps & sealant (not supplied), likewise all conduit entries should be tightened & sealed with sealant.



Description	Cat No.	Height (mm)	Width (mm)	Length (mm)	Conduit Entries	Rear Cut-Outs dia.
Enclosure Back Box Shallow 1 Gang	BUBB1GS	37	101	101	2 x 20mm 1 x 25mm	1 x 20mm 1 x 25mm
Enclosure Back Box 1 Gang	BUBB1G	62	101	101	2 x 25mm 1 x 32mm	1 x 32mm
Enclosure Back Box Deep 1 Gang	BUBB1GD	100	101	101	2 x 40mm	1 x 32mm
Enclosure Back Box Shallow 2 Gang	BUBB2GS	38	101	198	2 x 20mm 1 x 25mm	2 x 20mm 2 x 25mm
Enclosure Back Box 2 Gang	BUBB2G	63	101	198	2 x 25mm 1 x 32mm	1x 25mm 1 x 32mm
Enclosure Back Box Deep 2 Gang	BUBB2GD	100	101	198	2 x 40mm	1 x 32mm 1 x 25mm
Enclosure Back Box 3 Gang	BUBB3G	63	101	298	2 x 25mm 1 x 32mm	2 x 25mm 1 x 32mm
Enclosure Back Box 4 Gang	BUBB4G	63	198	198	2 x 25mm 2 x 32mm	2 x 25mm 1 x 32mm 1 x 40mm
Enclosure Back Box 6 Gang	BUBB6G	63	198	298	2 x 25mm 2 x 32mm	2 x 25mm 2 x 32mm 2 x 40mm
Bridge for BUBB Back Box Range	BUBBRIDGE					
Bridge Divider for BUBB Back Box Range	BUBBRIDGED					

NEW CODE

**BUBB1GS**

**BUBB1G\***

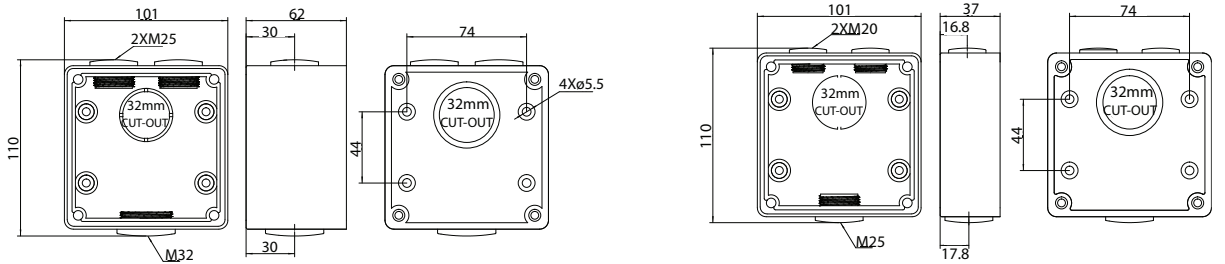
**BUBB1GD**

**BUBB2GS**

**BUBB2G\***

**BUBB2GD**

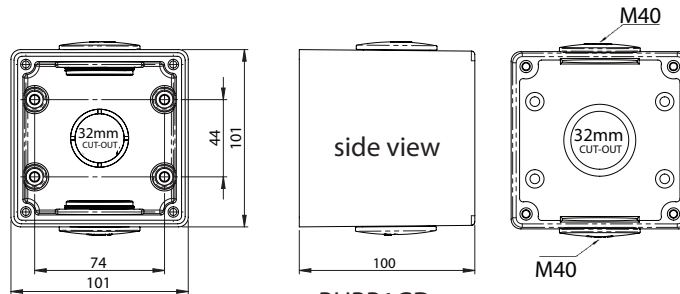
## Enclosure Dimensions



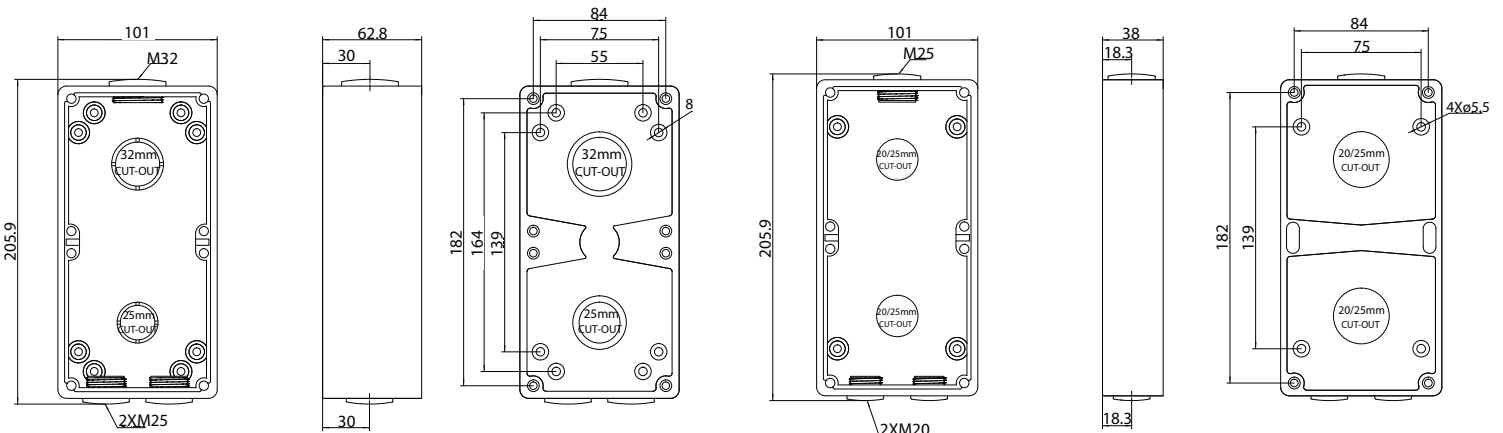
BUBB1G

BUBB1GS

PAGE 2 of 3

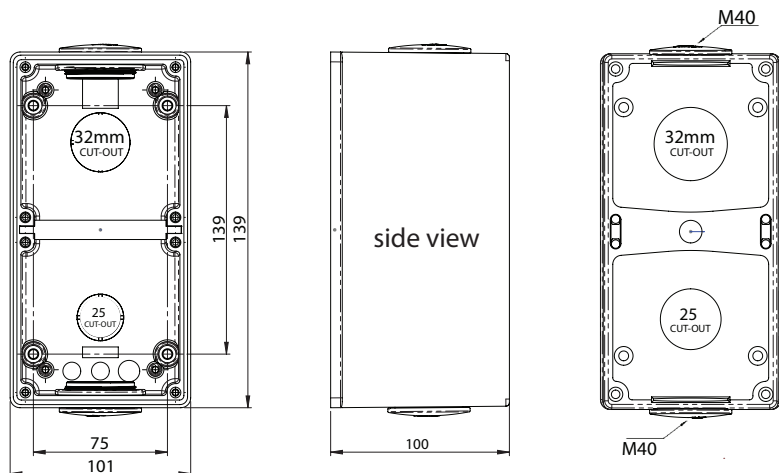


BUBB1GD



BUBB2G

BUBB2GS



BUBB2GD



GSM Electrical (Australia) Pty Ltd

Level 2, 142-144 Fullarton Road, Rose Park SA 5067

P: 1300 301 838 F: 1300 301 778 E: service@gsme.com.au

www.gsme.com.au



NEW CODE

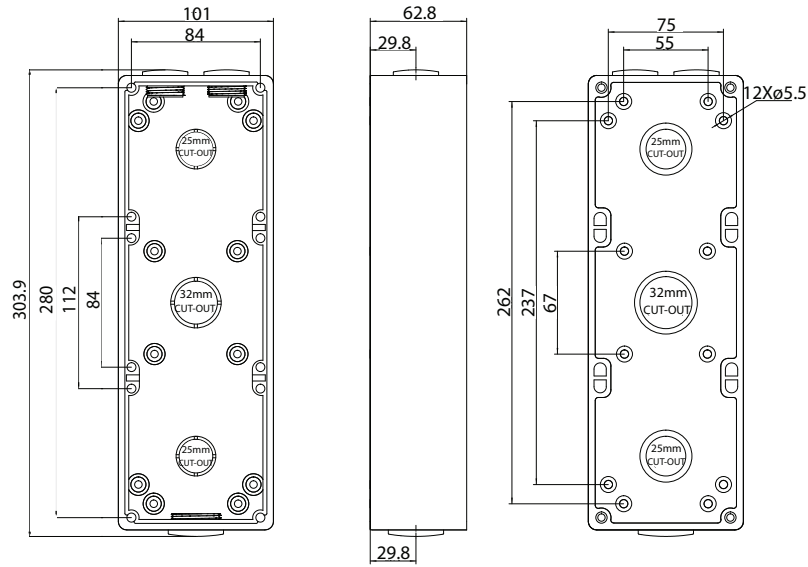
**BUBB3G**

**BUBB4G**

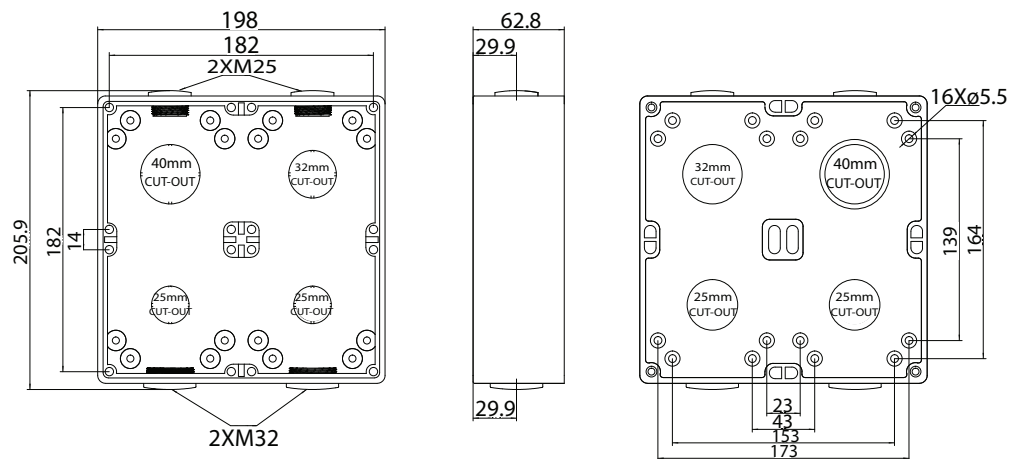
**BUBB6G**

## Enclosure Dimensions

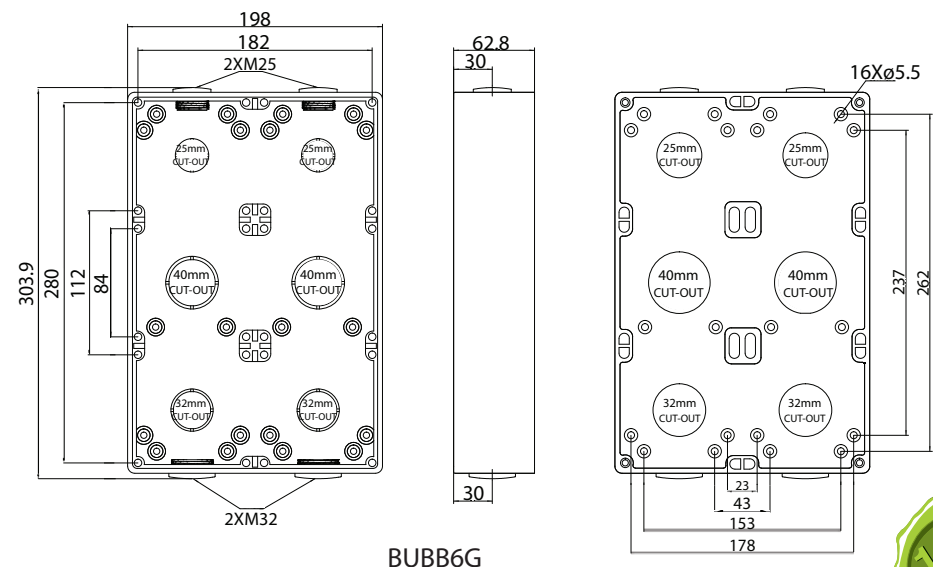
PAGE 3 of 3



**BUBB3G**



**BUBB4G**



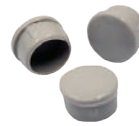
**BUBB6G**



**BUL1  
BUL2  
BUCAP9**

## Enclosure Lids

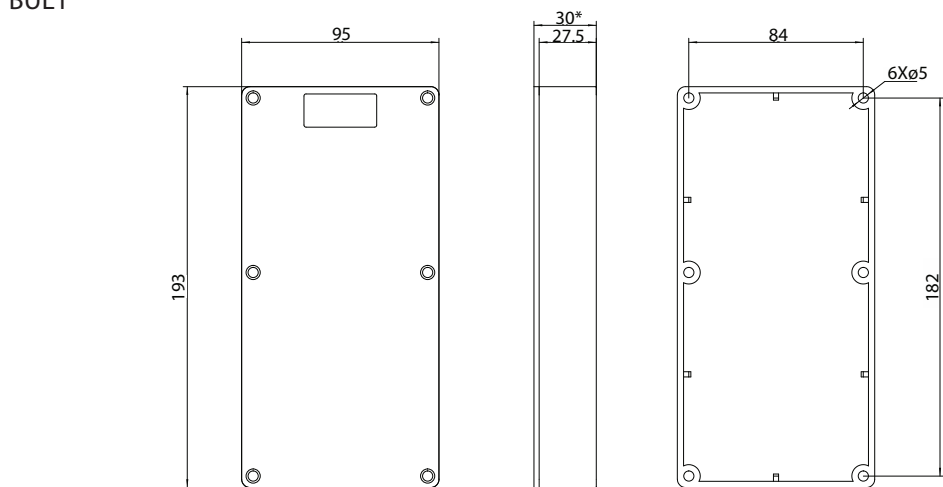
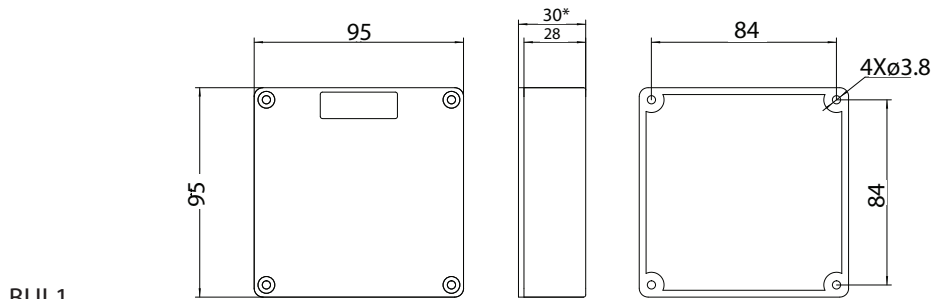
- Manufactured in industrial grade resins providing:
- Polycarbonate Lids for High Impact Strength.
- UV Resistance.
- Good level of Chemical Resistance.
- Compatible with Buffalo previous & current ranges.
- Grey colour.
- Includes sealing gaskets, cover fixing screws and cover screw caps (BUCAP9)
- Installer Tip: Fix cover screws to maximum torque levels of 0.53Nm.



BUCAP9



Cat No.	Description	Height (mm)	Width (mm)	Length (mm)
BUL1	Lid for 1 Gang Enclosures	28	95	95
BUL2	Lid for 2 Gang Enclosures	28	95	193
BUCAP9	Cover Screw Caps Grey			



\*includes gasket



**BUJB1**  
**BUJB2**

**PAGE 1 of 2**

## IP66 Junction Boxes

- Manufactured in industrial grade resins providing:
- Polycarbonate Lids for High Impact Strength.
- UV Resistance.
- Good level of Chemical Resistance.
- Back Boxes & Junction Boxes supplied with Reducers and Screw Caps.
- Compatible with Buffalo previous & current ranges.
- Grey colour.
- Includes 5 connectors (3 Phase, Neutral & Earth).
- Includes cover sealing gasket + fixing screws.
- Includes cover screw caps (BUCAP9).
- Connectors accept 3 x 6mm<sup>2</sup> or 4 x 2.5mm<sup>2</sup> cables.
- Installer Tip: Fix cover screws to maximum torque levels of 0.53Nm.

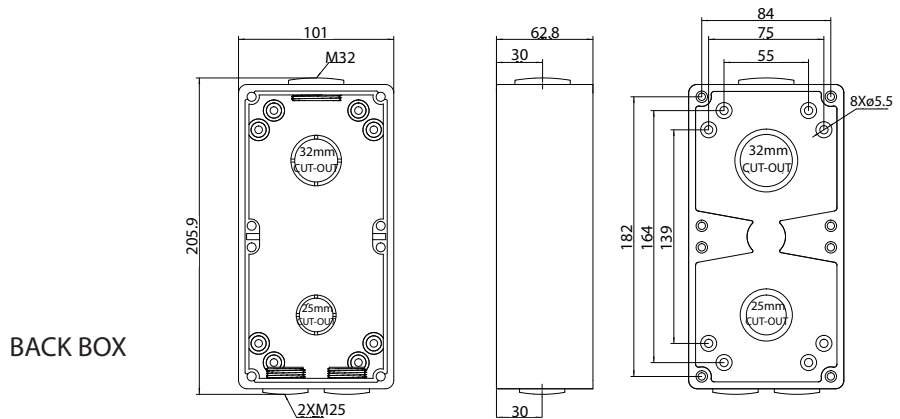
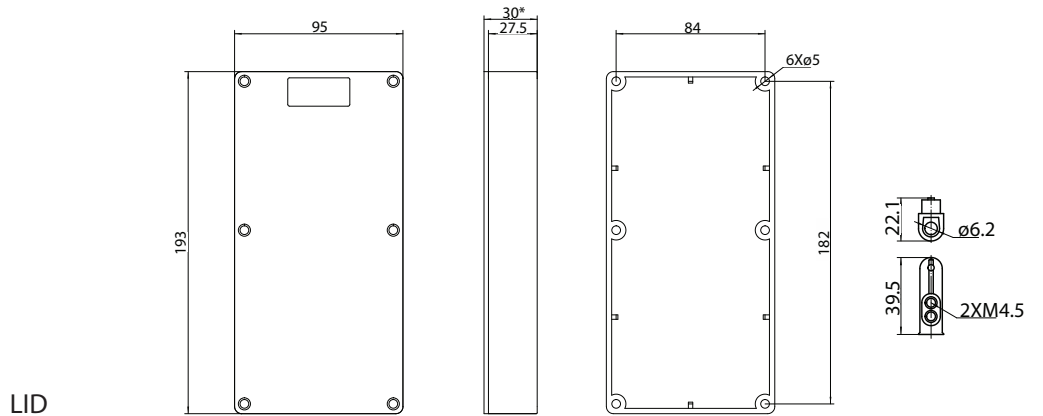
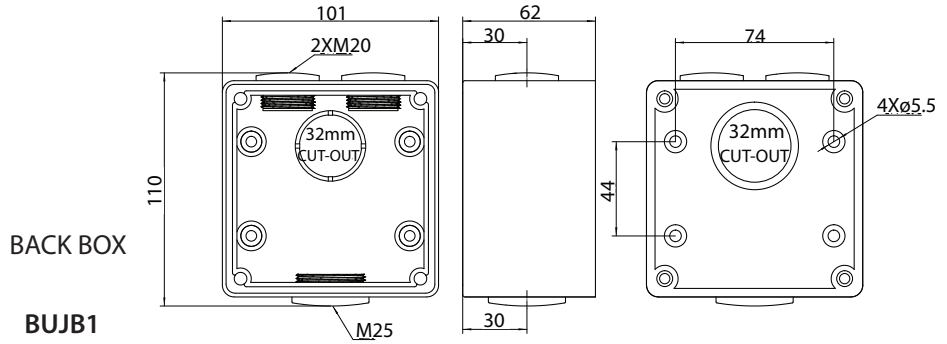
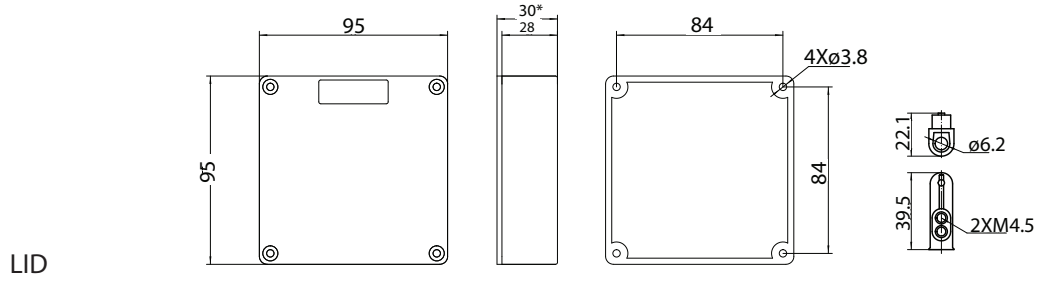


Cat No.	Description	Height (mm)	Width (mm)	Length (mm)	Conduit Entries	Rear Cut-Outs dia.
BUJB1	Junction Box IP66 1 Gang, supplied with connectors	91	101	101	2 x 20mm 1 x 25mm	1 x 32mm
BUJB2	Junction Box IP66 2 Gang, supplied with connectors	91	101	198	2 x 25mm 1 x 32mm	1 x 25mm 1 x 32mm



**BUJB1  
BUJB2**

PAGE 2 of 2



\*includes gasket



**BUAI310**  
**BUAI315**  
**BUAI310LE**  
**BUAI315LE**

## IP66 Appliance Inlets Single Phase Flat Pin (250V~)

The Appliance Inlets physically adapt with the other products in the Buffalo range and offer opportunities to provide power to portable infrastructure in harsh conditions. They utilise the same interchangeable gasket systems to meet IP66 performance.

Available in 10A and 15A flat pin format compliant to AS/NZS3112.

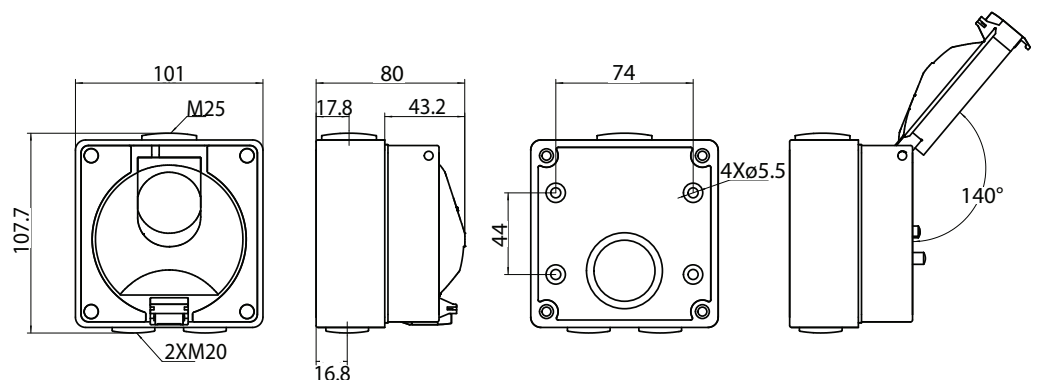
The material of these products varies from others in the range as they are made from UV stabilised polycarbonate. They use the same installation and gasket system as the rest of the Buffalo range and provide suitable IP66 seal when installed.

### Features and Benefits

- 3 flat pins, 10A & 15A
- 1.5mm – 6mm conductor terminal
- Grey polycarbonate construction.
- Insulated Pins.
- Chemical Resistant.
- Transparent Spring loaded flap.
- Compliant to AS/NZS3112.



Cat No.	Description	Height (mm)	Width (mm)	Length (mm)	Conduit Entries	Matching Extension Socket
BUAI310	Appliance Inlet IP66 10A 250V~	80	101	101	2 x 20mm 1 x 25mm	BUEXO310
BUAI315	Appliance Inlet IP66 15A 250V~	80	101	101	2 x 20mm 1 x 25mm	BUEXO315
BUAI310LE	Appliance Inlet IP66 10A 250V~, Less Enclosure	43	97	97	N/A	BUEXO310
BUAI315LE	Appliance Inlet IP66 15A 250V~, Less Enclosure	43	97	97	N/A	BUEXO315



**Certification Numbers:**  
SAA191208

**GSM Electrical (Australia) Pty Ltd**  
Level 2, 142-144 Fullarton Road, Rose Park SA 5067  
P: 1300 301 838 F: 1300 301 778 E: service@gsm.com.au  
[www.gsm.com.au](http://www.gsm.com.au)



Data Specification Sheet  
August 2021

**BUAI320**  
**BUAI332**  
**BUAI410**  
**BUAI420**  
**BUAI432**  
**BUAI440**  
**BUAI450**  
**BUAI510**  
**BUAI520**  
**BUAI532**  
**BUAI540**  
**BUAI550**

PAGE 1 of 2



## IP66 Appliance Inlets Single & Three Phase Round Pin (250V~ & 500V~)

- Size 1 Single & Three Phase 10A to 20A (250V~ to 500V~).
- Size 2 Single & Three Phase 32A to 50A (250V~ to 500V~).
- 3 Round Pin, 4 Round Pin, 5 Round Pin.
- 10A, 15A, 20A, 32A, 40A & 50A current ratings.
- Two gang design to provide additional wiring space.
- Features downward facing, angled pin housing which enables extension sockets to be neatly connected without bulky right angle entry.
- Suits Small to Large Single or Three phase loads.
- Ribbed Locking Ring to assist gripping with gloved hands and to secure extension sockets.



Cat No.	Description	Dimensions H* x W x D (mm)	Terminal Size (mm dia)	Maximum Conductor Size (mm <sup>2</sup> )	Conduit Entries	Matching Extension Socket
BUAI320	Appliance Inlet IP66 20A 500V~ 3 Pin	183x101x198	4.1	10	2 x 25mm 1 x 32mm	BUEXSO320
BUAI332	Appliance Inlet IP66 32A 500V~ 3 Pin	183x101x198	4.1	10	2 x 25mm 1 x 32mm	BUEXSO332
BUAI410	Appliance Inlet IP66 10A 500V~ 4 Pin	183x101x198	4.1	10	2 x 25mm 1 x 32mm	BUEXSO410
BUAI420	Appliance Inlet IP66 20A 500V~ 4 Pin	183x101x198	4.1	10	2 x 25mm 1 x 32mm	BUEXSO420
BUAI432	Appliance Inlet IP66 32A 500V~ 4 Pin	183x101x198	4.1	10	2 x 25mm 1 x 32mm	BUEXSO432
BUAI440	Appliance Inlet IP66 40A 500V~ 4 Pin	183x101x198	4.1	10	2 x 25mm 1 x 32mm	BUEXSO440
BUAI450	Appliance Inlet IP66 50A 500V~ 4 Pin	183x101x198	4.1	10	2 x 25mm 1 x 32mm	BUEXSO450
BUAI510	Appliance Inlet IP66 10A 500V~ 5 Pin	183x101x198	4.1	10	2 x 25mm 1 x 32mm	BUEXSO510
BUAI520	Appliance Inlet IP66 20A 500V~ 5 Pin	183x101x198	4.1	10	2 x 25mm 1 x 32mm	BUEXSO520
BUAI532	Appliance Inlet IP66 32A 500V~ 5 Pin	183x101x198	4.1	10	2 x 25mm 1 x 32mm	BUEXSO532
BUAI540	Appliance Inlet IP66 40A 500V~ 5 Pin	183x101x198	4.1	10	2 x 25mm 1 x 32mm	BUEXSO540
BUAI550	Appliance Inlet IP66 50A 500V~ 5 Pin	183x101x198	4.1	10	2 x 25mm 1 x 32mm	BUEXSO550

**Certification Numbers:**  
SA211330

**GSM Electrical (Australia) Pty Ltd**  
Level 2, 142-144 Fullarton Road, Rose Park SA 5067  
P: 1300 301 838 F: 1300 301 778 E: service@gsm.com.au  
[www.gsm.com.au](http://www.gsm.com.au)



Data Specification Sheet  
December 2021

- BUAI320
- BUAI332
- BUAI410
- BUAI420
- BUAI432
- BUAI440
- BUAI450
- BUAI510
- BUAI520
- BUAI532
- BUAI540
- BUAI550

PAGE 2 of 2

