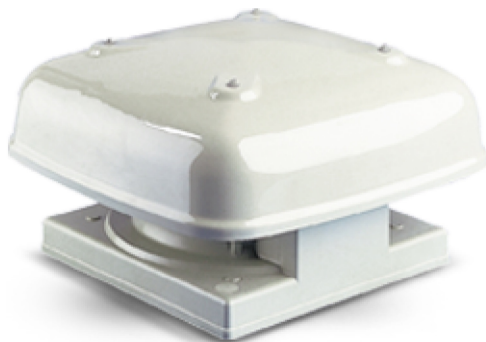


Alpha Supply Series – MV304S

Location

Project



Designation

Notes

Features

The Alpha Axial Supply Air Roof Units, being fully tested, ensure design engineers are able to select fans for supply air applications with confidence.

Construction

Cowls are of UV-stabilised plastic.
Steel components have a corrosion-resistant finish.
Bird mesh guards are fitted as standard.
Shutters cannot be fitted.

Motors

Type:-
MV units - external rotor motor.
Others - standard squirrel cage motors.
Electricity supply - 220-240V, single or 415V, three-phase, 50Hz.
Bearings - sealed-for-life, ball.
Speed-controllable using electronic or auto-transformer controllers.

Internal Thermal Protection

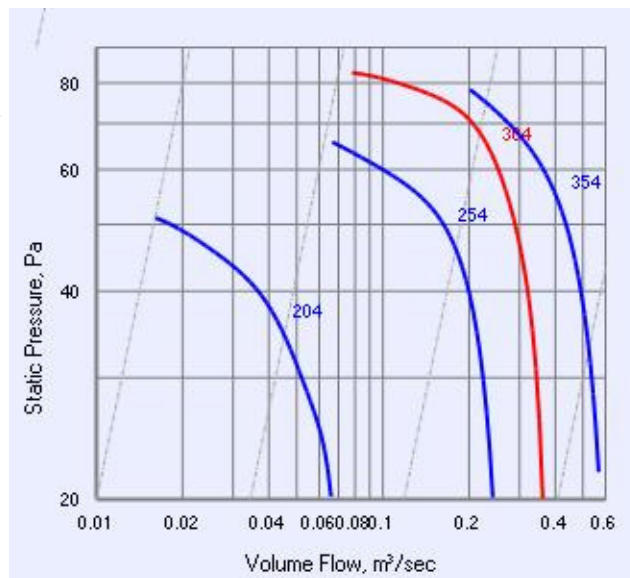
Auto-reset protection is supplied as standard on MV units.
Manual-reset protection is standard on all others.

Testing

Air flow tests to BS848:Part 1, 1980.
Noise tests to BS848:Part 2, 1985.

Special Features

Can be mounted at angles up to 30°.



Technical Data - MV304S

Speed [rps]	Avg. dBA @ 3m	kWatts (Input)	Amps	Max.° C	Approx. Weight [kg]
22	44	0.09	0.41	50	6.5

Sound Data

Type	63	125	250	500	1K	2K	4K	8K
Inlet	66	67	67	63	58	54	49	

Alpha Supply Series – MV304S

Suggested Specification

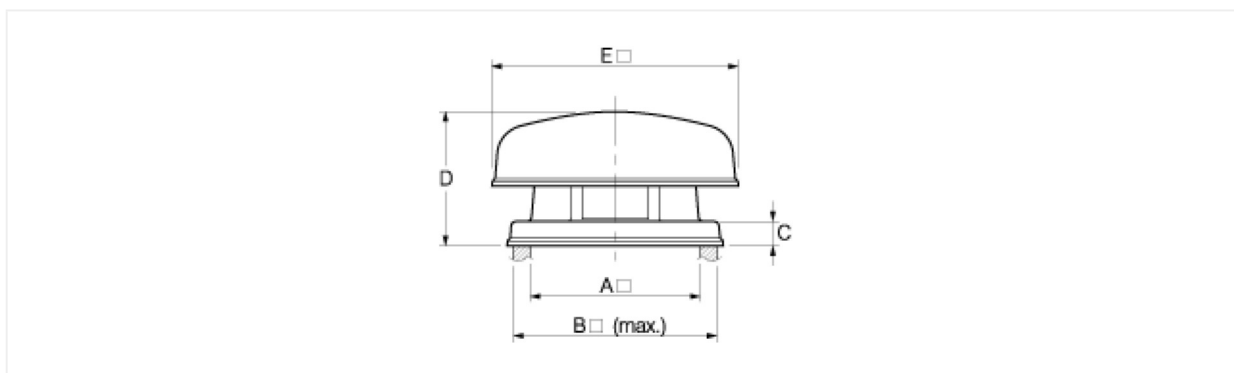
The Alpha Series of axial supply air units shall be as designed and manufactured by Fantech Pty. Ltd.

They shall be driven by speed-controllable motors with integral thermal protection.

Cowls shall be of a plastic and/or fibreglass. Steel components shall be corrosion-protected.

All models shall be fully tested to BS848:Part 1, 1980 for air flow and BS848:Part 2, 1985 for noise.

Dimensions



A	B	C	D	E
350	410	55	350	570

All dimensions in mm, unless otherwise stated

Contacts



OFFICES & AGENTS

Victoria

Fantech Pty. Ltd.
Tel:+61 (03) 9554-7845

New South Wales

Fantech Pty. Ltd.
Tel:+61 (02) 8811-0400

Uniair Distributors Pty. Ltd.

Tel:+61 (02) 4961-6088
Refrigeration and Air Supplies
Tel:+61 (02) 4226-5133
Fantech Pty. Ltd.
Tel:+61 (02) 6025-1866

South Australia

Fantech Pty. Ltd.
Tel:+61 (08) 8294-0530

Queensland

Air Design Pty. Ltd.
Tel:+61 (07) 3299-9888
Capricorn Air Conditioning
Tel:+61 (07) 4775-5222

Northern Territory **Fantech Pty. Ltd.**

Tel:+61 (08) 8947-0447

Western Australia **Systemaire Pty. Ltd.**

Tel:+61 (08) 9209-4999

Tasmania

Major Air Pty. Ltd.
Tel:+61 (03) 6344-6888
Hobart
Tel:+61 (03) 62736455

ACT

Idealair Group Pty. Ltd.
Tel:+61 (02) 6280-5511

Auckland

Fantech (NZ) Ltd.
Tel:+64 (09) 444-6266

Christchurch

Fantech (NZ) Ltd.
Tel:+64 (03) 379-8622

Wellington

Fantech (NZ) Ltd.
Tel:+64 (04) 566-0532