

## Minitube Steel Series – MTS304

Location

Project

Designation

Notes



### Features

The Minitube Series of duct mounted axial fans is suitable for applications ranging from domestic to commercial ventilation.

#### Construction

All models have a powder-coated galvanised steel fan impeller.  
Casing: - 'MTS' range: galvanised steel casing tube with powder-coat finish.

#### Motors

Type - external rotor, squirrel cage induction motor.  
Electricity supply - 220-240V, single-phase, 50/60Hz.  
Bearings sealed-for-life, ball.  
Speed-controllable.  
Motor protection IP44.  
If flameproof motors are required, refer to Compact Miniduct Series.

#### Internal Thermal Protection

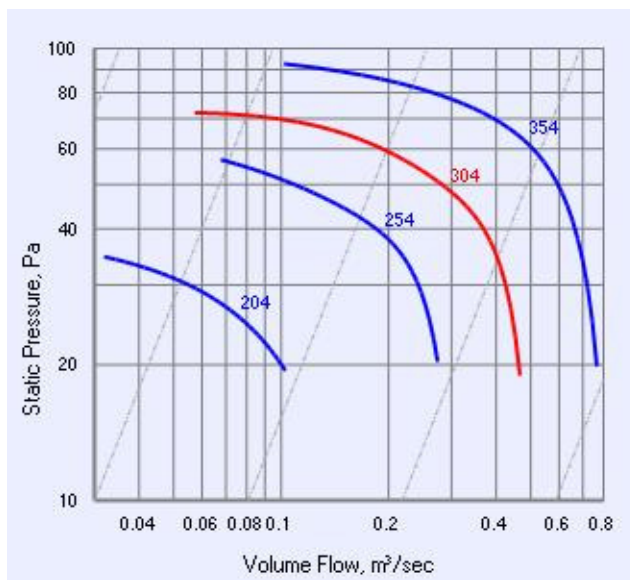
Manual reset type fitted as standard on models.

#### Testing

Air flow tests to BS848:Part 1, 1980.  
Noise tests to BS848:Part 2, 1985.

#### Special Features

Can be mounted at any angle.



### Technical Data - MTS304

Speed [rps]	Avg. dBA @ 3m	kWatts (Input)	Amps	Max. °C	Approx. Weight [kg]
22	47	0.092	0.42	50	4.8

### Sound Data

Type	63	125	250	500	1K	2K	4K	8K
Inlet	60	64	64	61	64	62	55	

## Minitube Steel Series – MTS304

### Suggested Specification

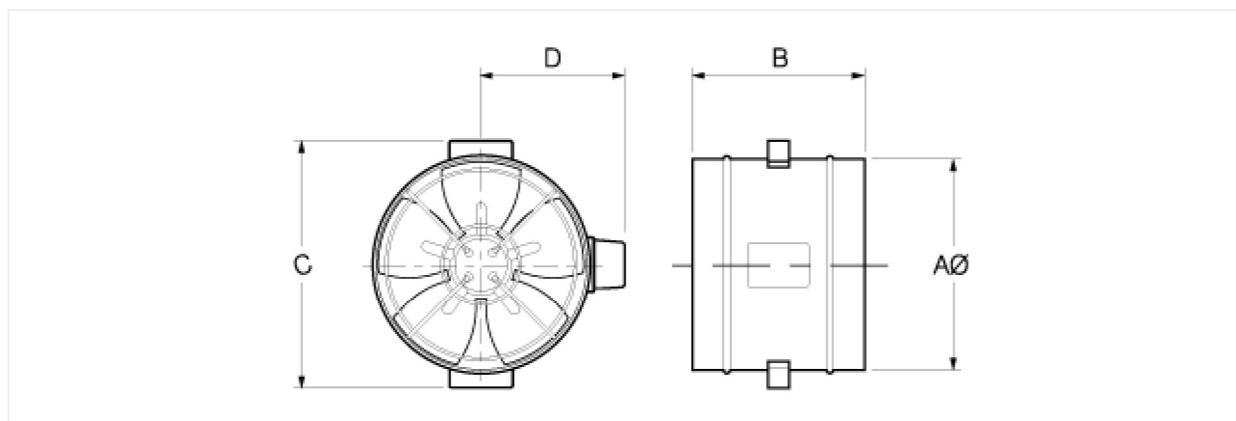
The fans shall be of the Minitube Series designed and manufactured by Fantech Pty. Ltd.

The axial impellers shall be direct driven by speed-controllable external rotor motors with integral thermal protection.

The fan casings and impellers shall be manufactured from galvanised steel, with mounting brackets as an integral component and given a powder-coat finish after manufacture.

All models shall be fully tested to BS848:Part 1, 1980 for air flow and BS848:Part 2, 1985 for noise in fully certified laboratories.

### Dimensions



A	B	C	D
311	250	346	219

All dimensions in mm, unless otherwise stated

### Contacts



#### OFFICES & AGENTS

**Victoria**  
Fantech Pty. Ltd.  
Tel: +61 (03) 9554-7845

**New South Wales**  
Fantech Pty. Ltd.  
Tel: +61 (02) 8811-0400

**Uniair Distributors Pty. Ltd.**  
Tel: +61 (02) 4961-6088  
**Refrigeration and Air Supplies**  
Tel: +61 (02) 4226-5133  
Fantech Pty. Ltd.  
Tel: +61 (02) 6025-1866

**South Australia**  
Fantech Pty. Ltd.  
Tel: +61 (08) 8294-0530

**Queensland**  
Air Design Pty. Ltd.  
Tel: +61 (07) 3299-9888  
Capricorn Air Conditioning  
Tel: +61 (07) 4775-5222

**Northern Territory**  
Fantech Pty. Ltd.  
Tel: +61 (08) 8947-0447

**Western Australia**  
Systemaire Pty. Ltd.  
Tel: +61 (08) 9209-4999

**Tasmania**  
Major Air Pty. Ltd.  
Tel: +61 (03) 6344-6888  
**Hobart**  
Tel: +61 (03) 62736455

**ACT**  
Idealair Group Pty. Ltd.  
Tel: +61 (02) 6280-5511

**Auckland**  
Fantech (NZ) Ltd.  
Tel: +64 (09) 444-6266

**Christchurch**  
Fantech (NZ) Ltd.  
Tel: +64 (03) 379-8622

**Wellington**  
Fantech (NZ) Ltd.  
Tel: +64 (04) 566-0532