

FLORYN FLE

Exterior Lighting / Flood Light

FLORYN FLE-FLE30W5K



Features

- High performance range
- Stylish slim profile body
- Durable die-cast aluminium body
- High-quality powder coating for corrosion protection
- IP65 and IK06 rated
- Instant turn ON
- Maintenance free
- Adjustable mounting bracket



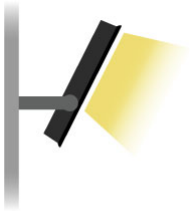
Applications

- Plazas, courtyards & building exteriors
- Factories & warehouses
- Gardens & parks
- Sports & community centers

Standards

- Manufactured under ISO 9001:2015 to standards
- IEC/AS/NZS 60598.1
- IEC/AS/NZS 60598.2.5
- IEC/AS/NZS CISPR 15

Mounting Methods



Trunnion



FLORYN FLE

Exterior Lighting / Flood Light



Specifications

Model	FLE30W5K
Nominal Power (W)	30
Input Voltage (V)	220 - 240
Frequency (Hz)	50 / 60
Luminous Flux (lm)	2950
Efficacy (lm/W)	107
CRI (Ra)	>80
Power Factor	>0.95
SDCM	5
CCT (K)	5000
Beam Angle (°)	110
Surge Protection (Kv)	2
Rated Life L70B50 (hr)	50000
Operating Temp. (°C)	-20 to +45
Weight (kg)	0.6

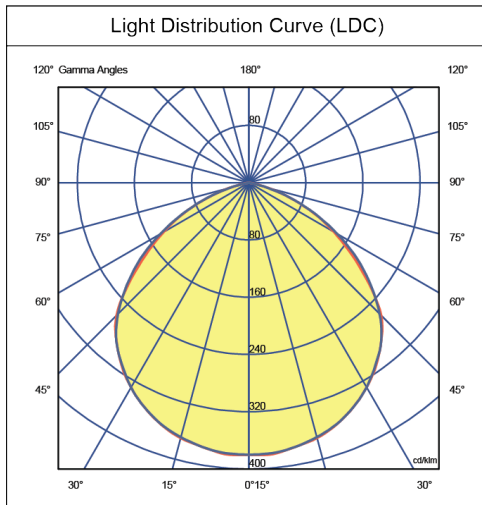
Packaging Details

Model	FLE30W5K
Product Carton Qty per box (pc)	1
Product Carton Dimension (mm)	235 x 145 x 50
Master Carton Qty per box (pc)	12
Master Carton Dimension (mm)	310 x 305 x 245
Master Carton Weight (kg)	9.2

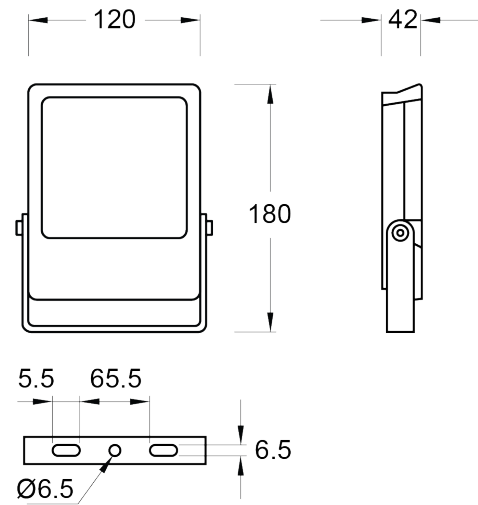
FLORYN FLE

Exterior Lighting / Flood Light

Lighting Data



Dimensions



davislighting.com



davislighting.com.au

All photometric and electrical data published are of $\pm 10\%$ tolerance. Characteristics and specifications may change without notice. All electrical installations / connections should be carried out by a suitably qualified person. Application images are indicative only and may not contain actual Davis product. The information contained in this publication is typical and must not be interpreted as a guarantee of individual product performance.