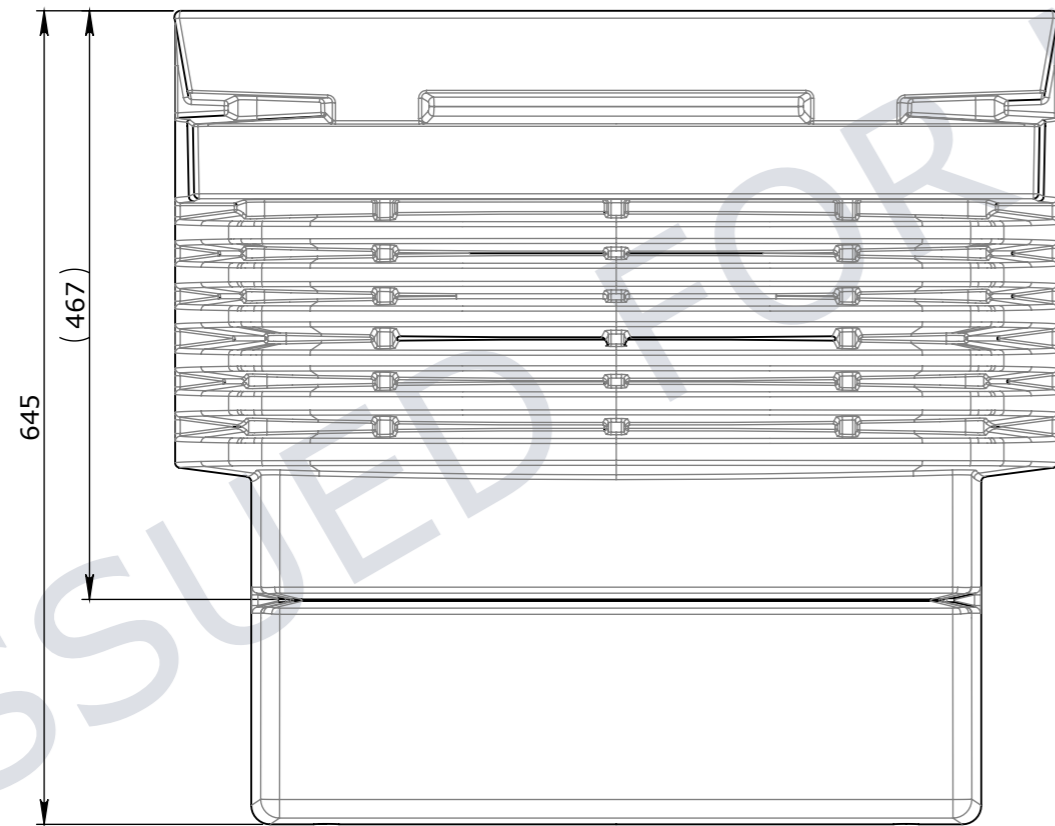


PLAN VIEW



ELEVATION VIEW



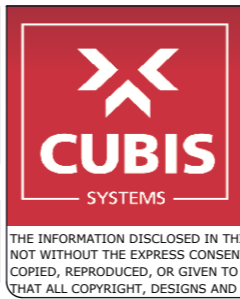
ISOMETRIC VIEW

UNCONTROLLED DOCUMENT WHEN PRINTED

- TOLERANCE NOTES:**
1. CONCRETE TOLERANCES TO BE IN CONJUNCTION / ACCORDANCE WITH AS3600 - CONCRETE STRUCTURES WHEN A BROOME FINISH IS REQUIRED THE GENERAL TOLERANCE SUPERCEEDS THE FLATNESS TOLERANCE
 2. WALL THICKNESS - DIMENSION AS NOTED IS MINIMUM THICKNESS ONLY CONCRETE GRADE - 40MPA UNLESS NOTED OTHERWISE
 3. DIMENSIONS ARE NOT INCLUSIVE OF SEALANTS OF JOINTS
 4. SURFACE FINISH - CLASS 4 (AS3610.1)

Rev	DESCRIPTION	DATE:	BY:	ECO#:												
<table border="1"> <tr> <th colspan="2">GENERAL TOLERANCES</th> <th colspan="2">REVISION CONTROL</th> </tr> <tr> <td>NOMINAL:</td> <td>UP TO 1000mm</td> <td>1M AND ABOVE</td> <td>FLATNESS: (NOT INCLUDING BROOME FINISH)</td> </tr> <tr> <td>TOLERANCE:</td> <td>±5mm</td> <td>1mm IN 200mm UP TO A MAXIMUM OF 20mm</td> <td>±4mm PER 1M WIDTH IN 1M LENGTH</td> </tr> </table>					GENERAL TOLERANCES		REVISION CONTROL		NOMINAL:	UP TO 1000mm	1M AND ABOVE	FLATNESS: (NOT INCLUDING BROOME FINISH)	TOLERANCE:	±5mm	1mm IN 200mm UP TO A MAXIMUM OF 20mm	±4mm PER 1M WIDTH IN 1M LENGTH
GENERAL TOLERANCES		REVISION CONTROL														
NOMINAL:	UP TO 1000mm	1M AND ABOVE	FLATNESS: (NOT INCLUDING BROOME FINISH)													
TOLERANCE:	±5mm	1mm IN 200mm UP TO A MAXIMUM OF 20mm	±4mm PER 1M WIDTH IN 1M LENGTH													

CHK / APPR:	ADMIN
DATE:	03-03-2020
RPEQ DOCUMENT #:	
WEIGHT:	13.32Kg
MATERIAL:	BVCI HDPE (PLASTIC)
SURFACE TREATMENT:	



HEAD OFFICE:
CARNGHAM ROAD
BALLARAT, VIC 3351
(03) 5335 8741

ENGINEERING & DEVELOPMENT:
2 STRADBROKE STREET
HEATHWOOD, QLD 4110
(07) 3714 0444

PROJECT DESCRIPTION:				
CUBIS SYSTEMS AUSTRALIA CATALOGUE PRODUCTS				
DRAWING NAME: MONObox™ P5 PLASTIC PIT				
DRAWN TO AS 1100 DO NOT SCALE FROM SHEET	DRAWING No: 50201022	REV: 0		
SHEET: A3	PAGE: 1/1	SCALE UNO: 1:5	DRAFTED DATE: 3/03/2020	DRAFTED BY: P.ADAMS

THE INFORMATION DISCLOSED IN THIS DOCUMENT IS CONFIDENTIAL AND IS NOT WITHOUT THE EXPRESS CONSENT OF CUBIS SYSTEMS AUSTRALIA TO BE COPIED, REPRODUCED, OR GIVEN TO ANY OTHER PARTY IN ANY FORM AND THAT ALL COPYRIGHT, DESIGNS AND PATENTS VEST IN CUBIS SYSTEMS AUS.