



Switched Socket Outlets with Plug Interlock IP66 500v

Installation and Maintenance Instructions

56CVI Series

Four Round Pin

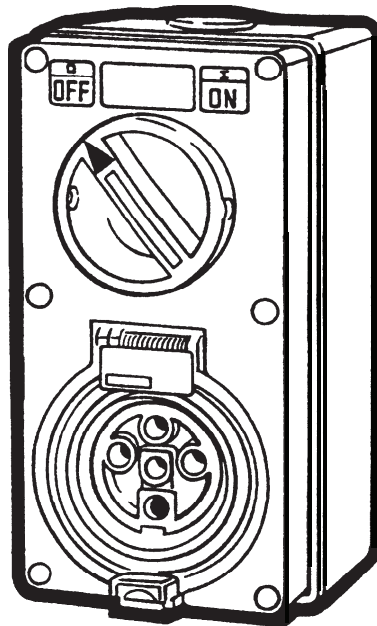
56CVI410
56CVI420
56CVI432
56CVI440
56CVI450

Five Round Pin

56CVI510
56CVI520
56CVI532
56CVI540
56CVI550

Four Round Pin and Two Round Control Pins

56CVI710
56CVI720



Product Description:

Switched socket outlets are fitted with an interlock mechanism that allows for the switch to be in the on position only when there is a plug inserted.

It does not allow for the plug to be removed unless the switch is in the off position.

Overall Dimensions Width 102mm, Height 198mm, Depth 103mm.

Entries provided are as follows:

10 and 20Amp

2 x 25mm and 1 x 25mm threaded conduit entries in opposite ends of the enclosure.

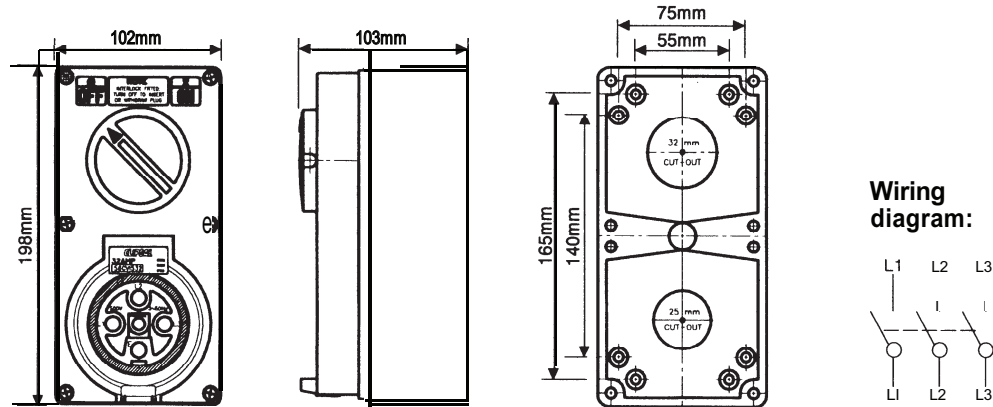
32,40 and 50 Amp

2 x 25mm and 1 x 32mm threaded conduit entries in opposite ends of the enclosure.

Other special entry configurations may be available upon request.

Installation:

This product is to be installed in accordance with AS3000 Wiring Rules.



Mounting:

Internal, use dimensions as shown.

(220/10 caps, provided, must be installed to ensure IP rating.)

External mounting feet may be ordered separately. Cat No. 56MF

All conduit and cable glands entering the enclosure must be sealed and all the cover screws shall be tightened to a minimum torque of 0.6Nm (Normal hand tightening).

Do not over tighten.

Cover screw recesses are then to be fitted with No 9 caps (included in parts pack).

This must be done to ensure the IP66 rating of this product is maintained.

Installation kit Includes:

4 x 220/10 Caps

6 x No 9 caps

1 x black connector

1 x green connector

Products of

Gerard Industries Pty Ltd

ACN 007 873 529

Head Office 12 Park Terrace,

Bowden, South Australia 5007

Telephone (08) 8269 0511

Facsimile (08) 8340 1724

Internet <http://www.clipsal.com.au>

E-Mail plugin@clipsal.com.au

State Offices and Distribution Centres

NSW Sydney (02) 9794 9200

VIC Melbourne (03) 9207 3200

Country Areas 1800 653 893

Albury (060) 41 2377

QLD Brisbane (07) 3244 7470

Townsville (077) 25 1822

SA Adelaide (08) 8269 0555

WA Perth (08) 9442 4444

TAS Hobart (03) 6272 3177

Launceston (03) 6331 6951

NT Darwin (08) 8947 0278

International Enquiries

Telephone +61 8 8269 0587

Facsimile +61 8 8346 1678

New Zealand

Clipsal New Zealand Auckland

Telephone 09 576 3403

Facsimile 09 576 1015