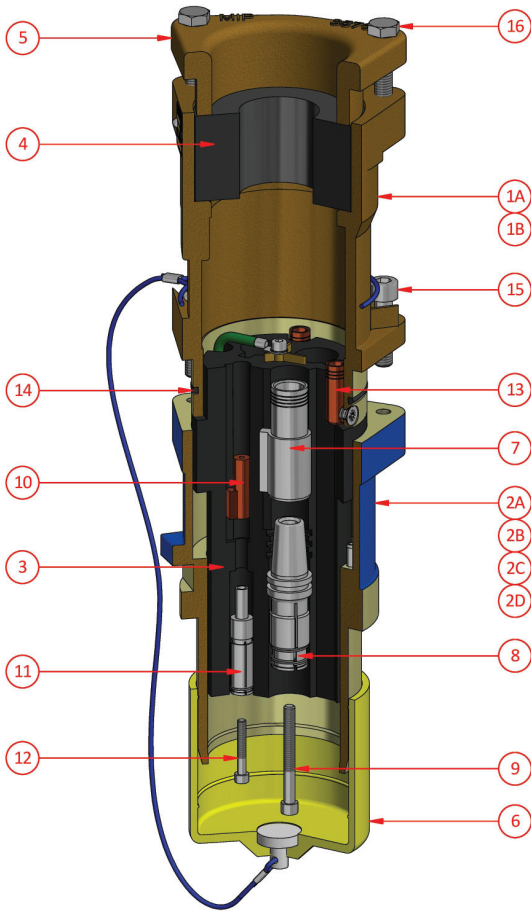


Restrained Plug
AF364R3 - AF314R3
AF364RS3 - AF314RS3

300 Amp Series
660V - 1100V



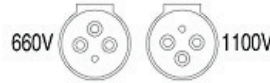
Weight
Dimensions
Compliance
Materials
IP Rating

12kg
L 150mm W 150mm H 410mm
Explosion protected to AS/NZS1299 & IEC60079 Series
Manganese Bronze / Neoprene / Stainless Steel
IP66/68

Ordering Procedure

- 1** Select complete Plug from Table 1
- 2** Select Phase Thimble from Table 2 (3 Required)
- 3** Select Grommet from Table 3

Table 1



Part Number	Description	Colour
AF364R3	660V Restrained Plug	Orange
AF314R3	1100V Restrained Plug	Blue
AF364RS3	660V Restrained Plug (Stainless steel nose cone)	Orange
AF314RS3	1100V Restrained Plug (Stainless steel nose cone)	Blue

NB: Plug supplied with Pilot Thimble

Table 2

Phase Thimble - c/w screw AH009868 1/4" x 2 1/4" skt. head

Part Number	CSA	ID mm	Utilux Die No.
F-3347-00	25	8.0	38-92 Cu
F-3347-0	35	10.0	38-115 Cu
F-3347-1	50	11.0	38-115 Cu
F-3347-2	70	13.5	38-142 Cu
F-3347-3	95	14.5	38-165 Cu
F-3347-4	120	16.6	38-165 Cu
F-3347-5	150	18.0	38-183 Cu
F-3347-6	185	20.7	Solder Only

NB: CSA is indicative only. Use ID for thimble selection

Table 3

Neoprene Grommets

Part Number	Cable Acceptance mm
3054-25	22.0-25.0
3054-31	24.0-31.0
3054-35	30.0-35.0
3054-38	34.0-38.0
3054-41	37.0-41.0
3054-45	40.0-45.0
3054-47	44.0-47.0
3054-51	46.0-51.0
3054-54	50.0-54.0
3054-57	53.0-57.0
3054-60	56.0-60.0
3054-64	59.0-64.0
3054-67	63.0-67.0
3054-70	66.0-70.0
3054-73	69.0-73.0
3054-76	72.0-76.0

Options

Earth Thimble - c/w screw AH151028 M6 x 16 csk. head

Part Number	Cable Acceptance mm	ID mm	Utilux Die No.
F-4648	10	4.7	38-57 Cu
F-4648-1	16	5.5	38-63 Cu
F-4648-2	25	7.1	38-77 Cu
F-4648-3	35	8.4	38-92 Cu

NB: F-4648-3 supplied with Plug

Spare Parts

#	Part Number	Description
1A	F-3339-364	660V Small Gland Body c/w items 1A, 5, 14, 15 & 16
1B	F-3339-314	1100V Small Gland Body c/w items 1B, 5, 14, 15, & 16
2A	F-3342-364	660V Nose Cone
2B	F-3342-314	1100V Nose Cone
2C	F-3342-364SS	660V Nose Cone Stainless Steel
2D	F-3342-314SS	1100V Nose Cone Stainless Steel
3	F-3340	Interior c/w Earth Lead, Screw and Washer
4	See Table 3	Neoprene Grommet
5	3576B	Clamping Cap
6	F-264L	Protection Cap

7	See Table 2	Phase Thimble
8	F-201-299	300A Phase Socket
9	AH009868	Screw 1/4" x 2 1/4" skt. head
10	F-3589-1	Pilot Thimble c/w screw AH009834 3/16" x 1 1/4" skt. head
11	F-3138-2	Pilot Socket
12	AH009834	Screw 3/16" x 1 1/4" skt. head
13	F-4648-3	Earth Thimble c/w screw AH151028 M6 x 16 csk. head
14	A1019011	O-ring ID 91.67 x sect. 3.53
15	AH117113	Screw M10 x 40 skt. head
16	AH1131165	Screw M10 x 50 hex. head

CMI Head Office NSW | (02) 9807 6155 | 18-20 Railway Road, Meadowbank NSW 2114 | nswsales@cmielectrical.com.au
CMI QLD-Brisbane
(07) 3863 0749
485A Zillmere Road,
Zillmere QLD 4034
southqldsales@cmielectrical.com.au

CMI QLD - Rockhampton
(07) 4921 0978
Shop 3 at 76 Hollingsworth Street,
North Rockhampton Qld 4701
northqldsales@cmielectrical.com.au

CMI VIC
(03) 9532 1233
3 Dissik Street,
Cheltenham VIC 3192
vicsales@cmielectrical.com.au

CMI WA
(08) 9358 1788
36 Division Street,
Welshpool WA 6106
wasales@cmielectrical.com.au