

Product Datasheet

Auxiliary Socket Outlet Panel (ASOP.22)



- IP20 (Our ASOP.43 variant is IP23)
- Powder coated Orange X15
- Wall mounted
- Pre-wired

Specifications

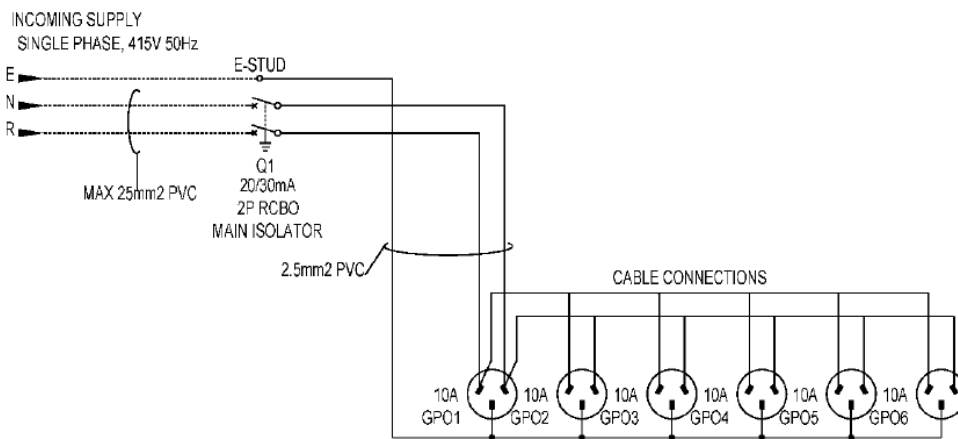
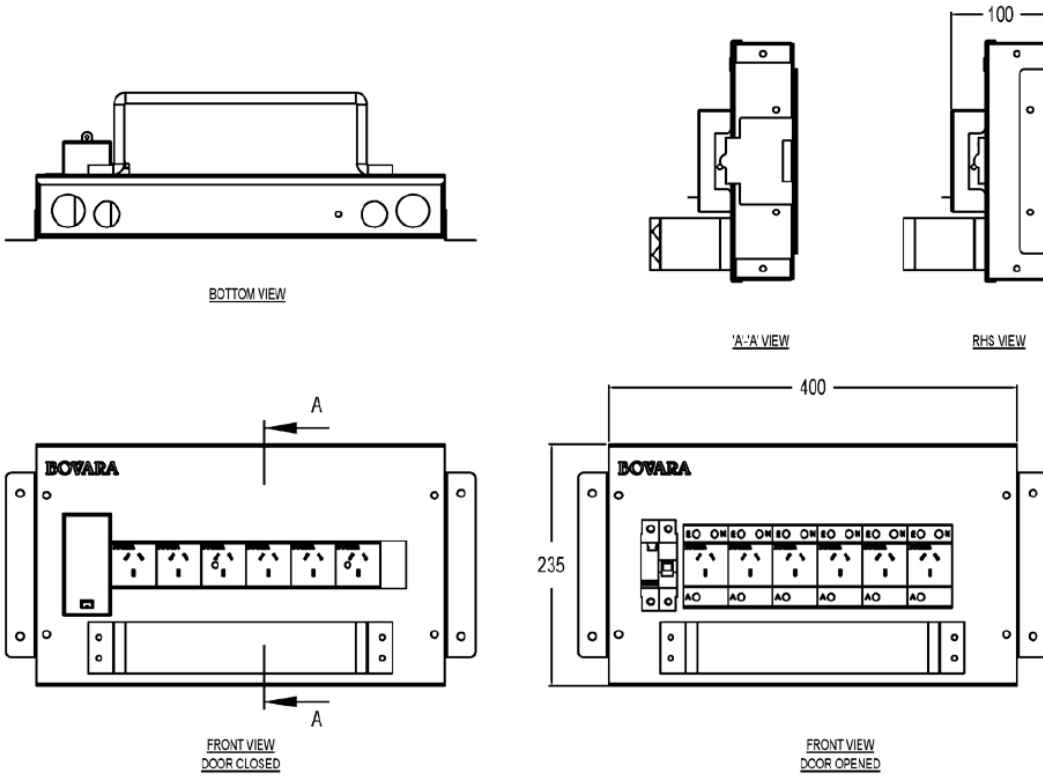
Category	Onsite Power
Subcategory	Auxiliary Socket Outlet Panels
IP Rating	IP20
Compliance	AS/NZS 3000:2018
Wiring	Pre-wired
Locking Mechanism	12mm diameter padlockable hole for RCBO
Phases	1
GPO 10 Amp Single	6
Lid	No
Ics, Rated Breaking Capacity	4.5kA
UN, Nominal Operational Voltage, AC	240V AC
Rated Frequency	50Hz
In, Rated Current	16A
No. of 10A Socket Outlets	6
Poles (18mm), Total	14
RCD Poles	1Ø 1P + N (switched)
Cable Entry	Front
Weight	8kg

Part No.

Description

ASOP.22

Dimensions (H x W x D): 235 x 400 x 100mm



BOVARA
ELECTRICAL EQUIPMENT

sales@bovara.com.au
1300-268-272
www.bovara.com.au