



LED

Compatible with



M+H WI NET™
Centrally
Monitored
System



M+H SENTINEL™
Automatic
Self Test
Unit

Twin LED Twinspot Emergency Floodlight

Part Number: Standard: CILLEDS
Premium: CILLEDNS
Weatherproof: CILLEDNSWP

- Ultra bright, high performance twin LED floodlights
- Low standby power consumption
- LED operation > 50 000 hours
- Available with standard Sealed Lead Acid or premium high temperature Nickel Cadmium batteries
- Automatic low voltage cut-out to prevent over-discharge of battery
- Over 2 hours of emergency lighting
- Optional 8 minutes 'off' delay - the luminaire remains illuminated for 8 minutes following restoration of AC mains supply to allow high bay lights to strike
- Designed and tested to comply with AS2293



Applications include:

- Wide open areas
- Very high ceilings
- Factories & Warehouses
- Work / Mine sites

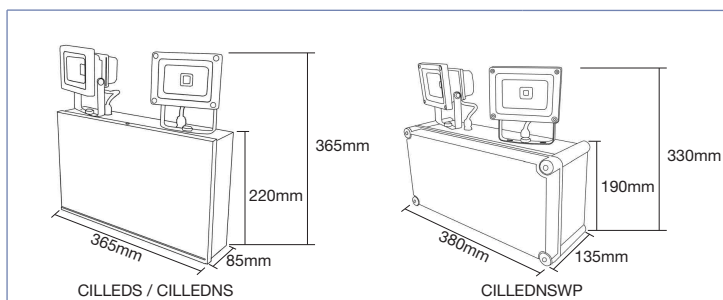


Scan with QR Reader

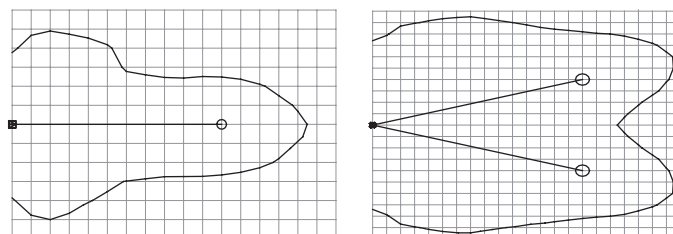
SPECIFICATIONS

PART NUMBER	CILLEDS	CILLEDNS	CILLEDNSWP
LIGHT SOURCE	2 x 10W 12V 1000Lm 6000K Bridgelux LED		
FUNCTION	Non-Maintained with optional 8 minute 'off' delay		
OPERATING VOLTAGE & FREQUENCY	240V AC 50Hz		
POWER CONSUMPTION (MAX / STANDBY)	24W / 1.8W		
APPROXIMATE LED LIFE	Over 50,000 hours		
BATTERY	Sealed Lead Acid	High Temperature Nickel Cadmium	
CHARGER	Constant Voltage	Dual rate (400mA High rate / 160mA Low rate)	
EMERGENCY DURATION	Greater than 2 hours		
BODY CONSTRUCTION	Powdercoated Folded Sheet Metal	Reinforced Fibre Glass	
IP CLASSIFICATION	Lamp - IP65, Body - IP21	Lamp - IP65, Body - IP66	
ENVIRONMENT	Indoor	Outdoor	
TEMPERATURE RANGE	0 to 40°C		
WEIGHT	5500g		
RELATIVE HUMIDITY	0 to 95%		
STANDARD	AS/NZS 2293		
M+H SENTINEL COMPATIBLE?	Yes		
M+H WI NET COMPATIBLE?	Yes		
ACCESSORIES	PART NUMBER 905066 - Replacement LED Floodlight to suit CILLEDNSWP (Silver) 905067 - Replacement LED Floodlight to suit CILLEDS , CILLEDNS (White) 901881 - Powdercoated Wire Guard PB12/7.2 - Replacement battery to suit CILLEDS 074675 - Replacement battery to suit CILLEDNS, CILLEDNSWP		

DIMENSIONS



PHOTOMETRICS



1x10W LED, approx. 19.8m @ 0.2 lux.

2x10W LED, approx. 22.1m @ 0.2 lux.

According to AS2293, emergency floodlights with rotatable light sources are classified as indirect emergency lighting. Therefore, emergency classifications and spacing tables are unavailable for this type of luminaire. IES files are available for specifiers.

Dimensions and specifications subject to change without prior notice due to ongoing product development policy and changes to industry standards.

AUSTRALIA

Toll Free
Ph: 1300 733 004
Fax: 1300 733 005
info@mpower.com.au
www.mpower.com.au

Head Office - VIC

9 Mosrael Place
 ROWVILLE VIC 3178
 Ph: 03 9763 0555
 Fax: 03 9763 0577

NEW ZEALAND

Auckland
 Unit B / 237 Bush Road
 ALBANY
 Ph: 09 415 6615
 Fax: 09 415 8160

NSW

10 Williamson Road
 INGLEBURN NSW 2565
 Ph: 02 8788 4600
 Fax: 02 9605 3702

SA

426 Churchill Road
 KILBURN SA 5084
 Ph: 08 8260 5011
 Fax: 08 8260 3455

Wellington

7 Ward Street
 LOWER HUTT
 Ph: 04 586 6188
 Fax: 04 586 6088

QLD

Unit 2 / 14 Hook Street
 CAPALABA QLD 4157
 Ph: 07 3823 4933
 Fax: 07 3245 1327

QLD North

Unit 1 / 54 Pilkington Street
 GARBUTT QLD 4157
 Ph: 07 3823 4933
 Fax: 07 3245 1327

WA

Unit 2 / 10 Mordaunt Circuit
 CANNING VALE WA 6155
 Ph: 08 6254 2211
 Fax: 08 6254 2299

NT - AGENT

Powerhouse NT
 Unit 2 / 34 Benison Road
 WINNELLIE NT 0820
 Ph: 08 8947 0027
 Fax: 08 8947 1126



MPower Products Pty Ltd

1300 733 004

www.mpower.com.au

info@mpower.com.au