

atomⁱ

LED CANDLE LAMPS

4.8W and 6W Frosted and Clear Dimmable Candle Lamps



Features

- Instant light
- Long life
- No Mercury content
- High CRI reflecting colours accurately



Colour temperature

Cool white, warm white and daylight



Base type

ES, BC, SES and SBC



Energy efficient

High lumen output



Warranty

Three year warranty

Product datasheet

Description

AT9421: 6W Dimmable Candle Lamp - Frosted.

AT9471: 4.8W Dimmable Candle Lamp - Clear.

Product specification

General information

Voltage	230V~ 50Hz		
Colour rendering index	>80		
Average rated life	15,000 hours		
Switching cycles	50,000		
Lamp shape	C35		
Warranty	3 years		

AT9421

Power consumption	6W		
Light colour options	Warm white	Cool white	Daylight
Colour temperature	3000K	4000K	6500K
Lumen output	490lm	500lm	500lm
Beam angle	300°		
Dimmable	Yes		
Finish	Frosted		

AT9471

Power consumption	4.8W		
Light colour options	Warm white		
Colour temperature	2700K		
Lumen output	470lm		
Beam angle	360°		
Dimmable	Yes		
Finish	Clear		

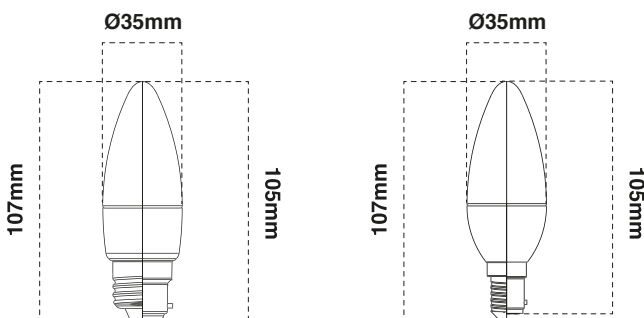
Product range

Code	Wattage	Base type	Colour temperature
AT9421/BC/CW	6W	BC/B22	Cool white
AT9421/BC/DL	6W	BC/B22	Daylight
AT9421/BC/WW	6W	BC/B22	Warm white
AT9421/ES/CW	6W	ES/E27	Cool white
AT9421/ES/DL	6W	ES/E27	Daylight
AT9421/ES/WW	6W	ES/E27	Warm white
AT9421/SBC/CW	6W	SBC/B15	Cool white
AT9421/SBC/DL	6W	SBC/B15	Daylight
AT9421/SBC/WW	6W	SBC/B15	Warm white
AT9421/SES/CW	6W	SES/E14	Cool white
AT9421/SES/DL	6W	SES/E14	Daylight
AT9421/SES/WW	6W	SES/E14	Warm white
AT9471/BC/WW/C	4.8W	BC/B22	Warm white
AT9471/ES/WW/C	4.8W	ES/E27	Warm white
AT9471/SBC/WW/C	4.8W	SBC/B15	Warm white
AT9471/SES/WW/C	4.8W	SES/E14	Warm white

Dimensions

Code	Width	Length
AT9421/BC	Ø35mm	105mm
AT9421/ES	Ø35mm	107mm
AT9421/SBC	Ø35mm	105mm
AT9421/SES	Ø35mm	107mm
AT9471/BC	Ø35mm	93mm
AT9471/ES	Ø35mm	95mm
AT9471/SBC	Ø35mm	95mm
AT9471/SES	Ø35mm	97mm

Frosted



Clear

