

## SMALL AXIAL FANS

# Cabinet Fans

COMPACT



This range of small axial fans are ideal for use in compact cabinets and space-limited areas where constant, cooling airflow is required.

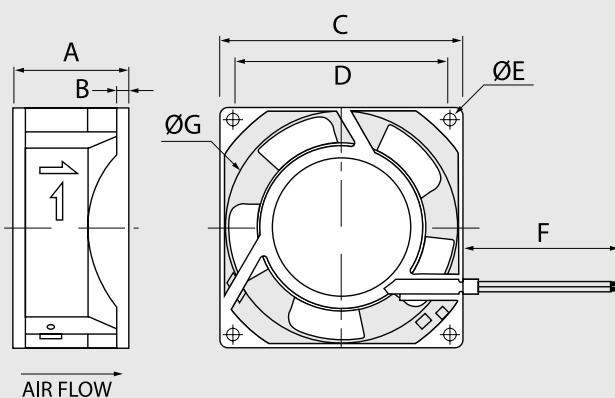
## Technical Data

Model	Code	Dia Ø	V	Hz	W	m <sup>3</sup> /hr	dB(A)
UF-80A23B-H	ALV113	80x80x38	240	50	14	51	32
UF-92A23B-H	ALV114	92x92x38	240	50	16	78	34
UF-12A23-L	ALV115	120x120x38	240	50	17	156	36
UF-16FC23B-H	ALV116	160x160x62	240	50	46	450	52
UF-18JC23B-H	ALV117	180x180x90	240	50	75	781	54

## Features

- Made of aluminium casing
- Over 40,000 running hours
- High quality, proven reliability
- Sealed for life ball bearing motor
- Metal/plastic finger guards available
- Filters available

## Dimensions



	A	B	C	D	E	F	G
UF-80A23B-H	38	4	80	71.5	4.3	300	76
UF-92A23B-H	38	4	92	82	4.3	300	88
UF-12A23-L	38	4	120	104.8	4.3	300	114
UF-16FC23B-H	62	4	189	138.5	5.5	-	142
UF-18JC23B-H	90	6	209	152.7	5.5	-	160